

---

Wall hung, fanflue, roomsealed, high efficiency gas boiler

# User manual and Installation instructions

## Riva Plus HE ERP

Models

G.C. Appl. No.

**RIVA PLUS HE 24S ERP 41-583-31 SYSTEM BOILER**

**RIVA PLUS HE 28S ERP 41-583-32 SYSTEM BOILER**



Congratulations on your choice.

**Riva Plus HE ERP** are condensing high efficiency sealed chamber fan flue gas boilers. They are fully electronically controlled and have electronic ignition.

The materials they are made of and the control systems they are equipped with give you safety, a high level of comfort and energy savings to allow you to get the greatest benefit out of independent heating.

**Riva Plus HE ERP** allow a higher efficiency by reducing the flue gas temperature such that the water vapour formed during the combustion is condensed out.

This allows a gain of useful heat that otherwise would be lost.



Biasi UK Ltd is a licensed member of the Benchmark Scheme which aims to improve the standards of installation and commissioning of domestic heating and hot water systems in the UK and to encourage regular servicing to optimise safety, efficiency and performance. Benchmark is managed and promoted by the Heating and Hot water Industry Council. For more information visit [www.centralheating.co.uk](http://www.centralheating.co.uk).



**DANGER:** The indications marked with this symbol must be observed to prevent accidents of mechanical or generic origin (e.g.: Injuries or bruises).



**DANGER:** The indications marked with this symbol must be observed to prevent accidents of electric origin (electrocution).



**DANGER:** The indications marked with this symbol must be observed to prevent the risk of fire or explosion.



**DANGER:** The indications marked with this symbol must be observed to prevent accidents of heat origin (burns).



**ATTENTION:** The indications marked with this symbol must be observed to prevent malfunctioning and/or damage to materials of the appliance or other objects.



**ATTENTION:** The indications marked with this symbol are important information that must be carefully read.



## Remember that...



WARNING

- ✓ **The manual** must be read thoroughly, so that you will be able to use the boiler in a safe and sensible way and must be carefully kept. It may be necessary for reference in the future.
- ✓ **The lighting up** must be carried out by a competent and responsible engineer.
- ✓ **The manufacturer**
  - disclaims all liability for any translations of the present manual from which incorrect interpretation may occur;
  - cannot be held responsible for non-observance of instructions contained in this manual or for the consequences of any procedure not specifically described.

Please ensure that the installer has fully completed the Benchmark Checklist on the inside back pages of the installation instructions supplied with the product and that you have signed it to say that you have received a full and clear explanation of its operation. The installer is legally required to complete a commissioning checklist as a means of complying with the appropriate Building Regulations (England and Wales).

All installations must be notified to Local Area Building Control either directly or through a Competent Persons Scheme. A Building Regulations Compliance Certificate will then be issued to the customer who should, on receipt, write the Notification Number on the Benchmark Checklist.

This product should be serviced regularly to optimise its safety, efficiency and performance. The service engineer should complete the relevant Service Record on the Benchmark Checklist after each service.

The Benchmark Checklist will be required in the event of any warranty

## Using the boiler...

- ✓ **Before lighting the boiler** you are advised to have a Registered Gas Safe Registered Engineer check that the installation of the gas supply is
  - gas-tight;
  - of the correct gauge for the flow to the boiler;
  - fitted with all the safety and control devices required by the current Regulations.
- ✓ **Ensure that**
  - the Installer has connected and terminated the pressure relief valve in a manner which allows safe discharge. The manufacturers are not responsible for damage caused by opening of the pressure relief valve and consequent escape of water, if this is not connected and terminated.
  - the installer has connected the condensate outlet to a suitable drain pipe.

---

✓ **On detecting the smell of gas:**

- do not operate any electrical switches, the telephone or any device that may produce sparks;
- open the windows and doors at once to create a draught of air which will purge the area;
- shut off the gas cocks;
- get the assistance of a qualified person. Emergency telephone number

**Tel 0800 111999.**

- ✓ **Do not touch the appliance** with parts of the body that are wet or damp and/or bare feet.
- ✓ **Do not block or modify** the condensate outlet and pipework.
- ✓ **In case of structural work** or maintenance near the flue and flue terminal turn off the appliance. On completion of the work, have a professionally qualified person check there efficiency.
- ✓ **Repairs** (under guarantee) must be carried out only by an approved engineer, using genuine spare parts. Thus do no more than switching off the boiler yourself (see the instructions).
- ✓ **Your boiler** allows heating up of water to a temperature less than boiling point therefore it
  - must be connected to a central heating system and/or a hot water supply system, compatible with its performance and output;
  - can be used only for those purposes for which it has been specially designed;
  - must not be touched by children or by those unfamiliar with its operation;
  - must not be exposed to weather conditions.
- ✓ **During the operation** it is quite normal that the boiler produces a white plume of condensation vapour from the flue terminal. This is due to the high efficiency of the appliance and may be particularly evident with low outdoor temperatures.

## Safe handling of substances

Biasi products are manufactured in accordance with ISO 9001 and do not, and will not, contain any hazardous materials or substances such as asbestos, mercury or C.F.C.'s. The appliance packaging does not contain any substances, which may be considered a hazard to health.

When handling or lifting always use safe techniques

- Keep your back straight, bend your knees, don't twist.
- Move your feet, avoid bending forwards and side ways and keep the load as close to your body as possible.

Where possible transport the boiler using a sack truck or other suitable trolley.

Always grip the boiler firmly, and before lifting feel where the weight is concentrated to establish the centre of gravity, repositioning yourself as necessary.

---

### Combustion chamber panels

*Material:* mineral fibres

*Known hazards* - Some people can suffer reddening and itching of the skin. Fibre entry into the eye will cause foreign body irritation, which can cause severe irritation to people wearing contact lenses. Irritation to respiratory tract.

*Precautions* - Dust goggles will protect eyes. People with a history of skin complaints may be particularly susceptible to irritation. High dust levels are only likely to arise following harsh abrasion. In general, normal handling and use will not present high risk. Follow good hygiene practices; wash hands before, touching eyes, consuming food, drinking or using the toilet.

*First aid* - Medical attention must be sought following eye contact or prolonged reddening of the skin.

### Sharp Edges

Caution should be taken when handling the boiler to avoid sharp edges on the boiler.

## Boiler installation and commissioning tips

- ✓ The installation must be carried out by a qualified Gas Safe Registered Engineer who will be responsible for observing the current Regulations and the completion of the Benchmark Gas Boiler System Commissioning Checklist, located at the back of this User manual.

---

## Installing the boiler...

- ✓ You must ensure that you remove the transit caps and plugs from the boiler connections which are fitted to every boiler.
- ✓ Keep the boiler clear of dust during installation and in particular do not allow any dust or debris to enter the top of the boiler where the flue connection is made. It is recommended that you put a dust sheet over the top of the boiler until you are ready to make the flue connection.
- ✓ Remember to release the auto air purge valve on the pump assembly before filling the boiler. See the instructions to identify the location of this device.
- ✓ This boiler allows you to control the flow temperature of the central heating system at very low levels. In case of underfloor heating system a temperature limiting device (e.g. a safety thermostat) is recommended to stop the boiler in case that the water temperature exceeds the design temperature.
- ✓ You are strongly to flush out the system both hot and cold in order to remove any system and installation debris to the British Standard BS 7593 code of practice.
- ✓ It is also sensible to initially fire and commission the boiler before connecting any external controls such as a room thermostat. By following this procedure, if you have a subsequent problem this method can eliminate the external controls from your fault analysis.
- ✓ Some products incorporate an anti cycling time delay. It is normal when first switching the boiler on for the boiler to operate on heating for a few seconds then switch off. After 3 - 4 minutes has elapsed the boiler will then re ignite and operate perfectly normally. The ignition delay cycle does not prevent normal operation of the boiler to provide D.H.W.
- ✓ If you are in any doubts as to the installation or operation of the boiler please read the instruction manual thoroughly and then if necessary contact Biasi UK for advice and assistance.
- ✓ Guarantee conditions. The guarantee registration form must be returned within 30 days of purchase, failure to comply will invalidate the guarantee.

Please remember that if you are in any doubt about the installation of this product you can contact our Technical Help line on tel. 01922 714 600.

### **Abbreviations used in the manual:**

C.H. = Central heating

D.H.W. = Domestic hot water

D.C.W. = Domestic cold water

# TABLE OF CONTENTS

<b>1 APPLIANCE DESCRIPTION</b> .....	<b>8</b>	6.5 Joints .....	32
1.1 Overview .....	8	6.6 Mounting the boiler .....	32
1.2 Control panel .....	8	6.7 Fitting the flue system .....	33
1.3 Isolation valves .....	8	6.8 Choice of flue .....	33
1.4 Technical data .....	8	6.9 Electrical connections .....	36
1.5 Operation lights .....	9	6.10 External frost protection .....	38
<b>2 INSTRUCTIONS FOR USE</b> .....	<b>10</b>	6.11 Connecting a system boiler to a cylinder .....	39
2.1 Warnings .....	10	<b>7 COMMISSIONING</b> .....	<b>42</b>
2.2 Refilling procedure .....	10	7.1 Warnings .....	42
2.3 Ignition .....	11	7.2 Electrical installation .....	42
2.4 C.H. circuit temperature .....	11	7.3 Gas supply installation .....	42
2.5 Switching off .....	12	7.4 Initial filling of the system .....	42
<b>3 USEFUL ADVICE</b> .....	<b>13</b>	7.5 Condensate pipe and traps .....	44
3.1 Central Heating .....	13	7.6 Lighting the boiler .....	44
3.2 Frost protection .....	13	7.7 Checking the gas pressure at the burner .....	45
3.3 Condensate drain .....	13	7.8 Checking the burner ignition .....	46
3.4 Periodic maintenance .....	13	7.9 Checking the ignition device .....	46
3.5 External cleaning .....	13	7.10 Checking the flue system .....	46
3.6 Operational faults .....	14	7.11 Check pump operation/pump release .....	46
<b>4 TECHNICAL INFORMATION</b> .....	<b>15</b>	7.12 Checking the condensate drain pipe .....	47
4.1 Overview .....	15	7.13 Instructing the user .....	47
4.2 Main diagram .....	16	<b>8 GAS CONVERSION</b> .....	<b>48</b>
4.3 Technical data mod. Riva Plus HE 24S ERP .....	18	8.1 Warnings .....	48
4.4 Technical data mod. Riva Plus HE 28S ERP .....	21	8.2 Procedures .....	48
4.5 Hydraulic specifications .....	24	<b>9 MAINTENANCE</b> .....	<b>50</b>
4.6 Expansion vessel .....	24	9.1 Warnings .....	50
<b>5 GENERAL REQUIREMENTS</b> .....	<b>25</b>	9.2 Dismantling the external panels .....	50
5.1 Related documents .....	25	9.3 Emptying the C.H. system .....	50
5.2 Location of appliance .....	25	9.4 Combustion analysis check .....	51
5.3 Flue system .....	26	9.5 Cleaning the primary heat exchanger .....	51
5.4 Gas supply .....	27	9.6 Checking the pressurisation in the expansion vessel .....	51
5.5 Air supply .....	28	9.7 Cleaning the burner .....	51
5.6 Ventilation .....	28	9.8 Checking the flue system .....	51
5.7 Condensate drain .....	28	9.9 Drain pipe inspection .....	51
5.8 Water circulation (C.H.) .....	29	9.10 Visual inspection of appliance .....	51
5.9 Water treatment .....	30	9.11 Gas pressures and tightness .....	51
5.10 Electrical supply .....	30	<b>10 BENCHMARK COMMISSIONING AND SERVICING SECTION</b> .....	<b>53</b>
<b>6 INSTALLATION</b> .....	<b>31</b>	Gas boiler system commissioning checklist .....	54
6.1 Warnings .....	31	Service record .....	55
6.2 Precautions for installation .....	31		
6.3 Installing the bracket .....	32		
6.4 Overall dimensions .....	32		

**Appliance category: II2H3+ (Gas G20 20 mbar, G30 29 mbar, G31 37 mbar)**

**Country of destination: United Kingdom (GB) Ireland (IE)**

This appliance conforms with the following EEC directive:

Gas Directive Gas 2009/142/EC

Efficiency Directive 92/42/EEC

Electromagnetic Compatibility Directive 2014/30/EU

Low Voltage Directive 2014/35/EU

Ecodesign Requirements Directive 2009/125/EC

The manufacturer, in the continuous process to improve his products, reserves the right to modify the data expressed in the present documentation at any time and without prior notice.

The present documentation is an informative support and it can not be considered as a contract to-wards third parties.

# APPLIANCE DESCRIPTION

## 1 APPLIANCE DESCRIPTION

The service knob 8 is useless for the normal operation of the boiler.

### 1.1 Overview

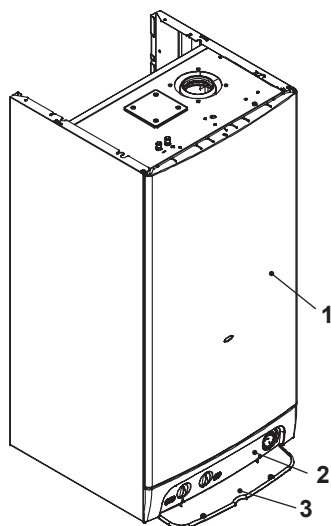


Fig. 1.1

- 1 Case front panel
- 2 Control panel
- 3 Control panel cover

### 1.2 Control panel

- 4 C.H. circuit temperature and pressure gauge
- 5 Lock-out signal lamp
- 6 Lockout reset button
- 7 Function selector and C.H. temp. control knob
- 8 Service knob
- 9 Appliance operation lights

### 1.3 Isolation valves

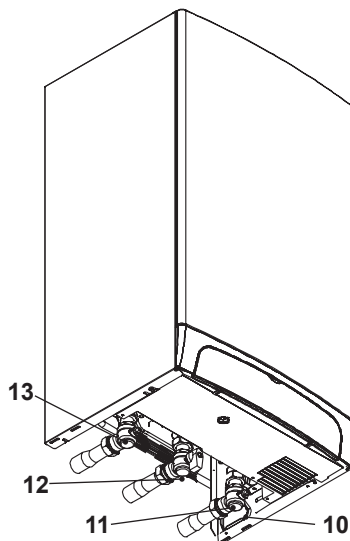


Fig. 1.2

- 10 Condensate drain pipe
- 11 C.H. return valve
- 12 Gas inlet valve
- 13 C.H. flow valve

### 1.4 Technical data

For detailed technical data see sections "Technical Data" on pag. 18 or pag. 21.

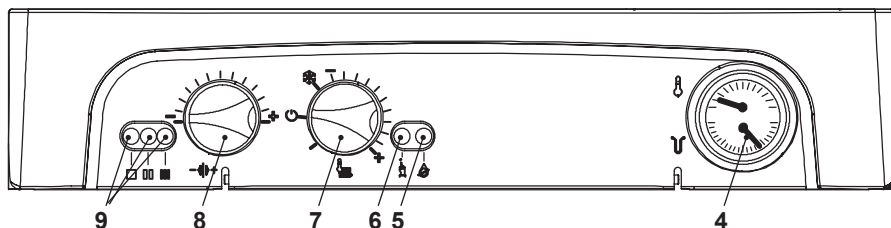


Fig. 1.3




# APPLIANCE DESCRIPTION

## 1.5 Operation lights

Three lights (9 in Fig. 1.3) give detailed indication regarding the operation of the boiler. The following table gives the relationship between each of the possible light combinations and their meaning.




**A short pulse every 4 seconds: stand-by condition**

Function selector in  position.

**Anti-freeze system active**



**1 second pulse every 2 seconds: normally operating boiler. Function selector in  position**



**C.H. operation**



**Frost protect operation**



**Faulty C.H. temperature probe NTC**



**Faulty flue temperature probe NTC**



**Faulty primary circuit (no water or low C.H. pressure)**



**Faulty primary circuit (absence of flow)**



**Faulty air pressure sensor**



**Lack of burner ignition (no ignition signal from the full sequence ignition device)**



**Safety thermostat lock out**



**Flue temperature probe NTC lock out**



**Flame detection error**



**Other faults**



**Lack of power supply or faulty electr. control p.c.b.**

### Meaning of symbols:

 **Lamp OFF**

 **Lamp ON**



**Flashing lamp, alone or simultaneously with an other lamp**



**Flashing lamp, alternate with another lamp**

If the lights combination observed is not included in the above table a fault may be indicated.

Reference should be made to the following table.

In this case switch off the boiler, as described in section "Switching off" to page 12 and call a competent and responsible Service Engineer.

# INSTRUCTIONS FOR USE

## 2 INSTRUCTIONS FOR USE

### 2.1 Warnings

Biasi UK Ltd support the Benchmark initiative. The Benchmark Checklist is located at the back of this manual and should be completed by the Installing/Commissioning Engineer and handed over to the User for future reference by other visiting Engineers. Also included is the Service Interval Record card that should be completed by the Service Engineer following the annual service maintenance of the boiler and system.

All Gas Safe Registered Installers carry a Gas Safe ID card, and have a registration number. Both should be recorded in your Benchmark Checklist. You can check your Installer is registered by calling Gas Safe direct on 0800 408 5500, or go on line at [www.GasSafeRegister.co.uk](http://www.GasSafeRegister.co.uk).

In order to guarantee safety and correct operation, it is essential that all the tests are carried out by a competent and responsible service engineer before lighting up the boiler.

The tests are described in the *installation instructions in section 7 commissioning*.

Ensure that the C.H. circuit is regularly filled with water (even if the boiler is only used for D.H.W. supply) checking that the pressure indicated on pressure gauge 4 is not lower than that shown in Fig. 2.2.

If the pressure reading on the pressure gauge is below that shown in Fig. 2.2, then the system will require topping up. A filling loop is normally provided by the Installer for this purpose.

**If you are in any doubt regarding this procedure you are advised to contact your Installer or an Approved Engineer.**

This appliance is provided with a built in

anti-freeze system that operates the boiler when the temperature is below 5 °C.

Therefore, when the boiler is not lit or used in cold weather, with consequent risk of freezing **do not switch off the boiler at the fused spur isolation switch or close the gas inlet cock.**

When you do not expect to use the boiler for a long period and the boiler is not to be used for frost protection then follow the instructions given in section "Switching off" to page 12.

### 2.2 Refilling procedure

- Isolate the boiler from the electrical supply at the fused spur. Reconnect the filling loop as demonstrated in Fig. 2.1.

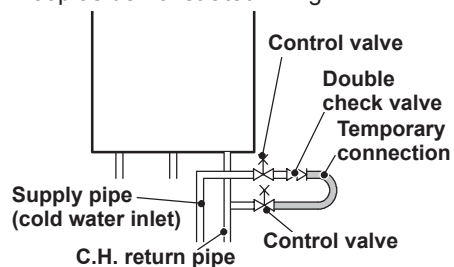


Fig. 2.1

- Open the valves of the filling loop and watch the gauge until it reaches normal filling pressure as shown in Fig. 2.2.

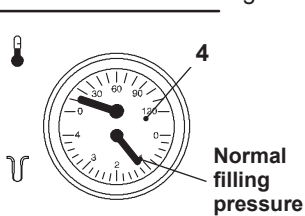


Fig. 2.2

- Close the valves and remove the filling loop.

**If you experience any difficulty with the operation of the boiler, switch off the boiler immediately at the fused spur iso-**

# INSTRUCTIONS FOR USE

lation switch and contact your Installer or an approved Service Engineer.

Air introduced into the boiler during this filling process will vent through the automatic air purger fitted to the boiler. You may also find it necessary to vent air from your radiator circuit using your radiator key, however be aware that excessive venting will cause the pressure in the system to drop. Always ensure that the pressure gauge is set at the required pressure.

## 2.3 Ignition

- Check that the valves located in the lower part of the boiler are open Fig. 2.3.

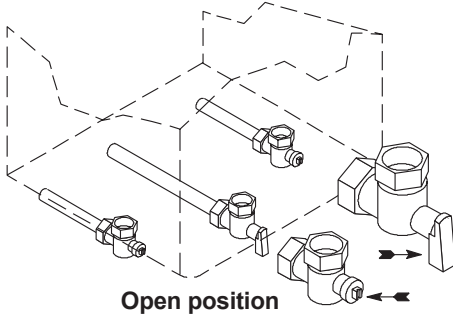


Fig. 2.3

- Turn on the electricity supply to the boiler switching on the fused spur isolation switch. The appliance operation light 9 (Fig. 2.4) will flash every 4 seconds (stand-by condition).
- To operate the boiler, position the function selector 7 as in Fig. 2.4. The appliance operation light 9 will flash every 2 seconds (operating boiler).

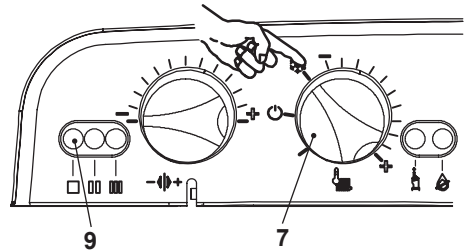


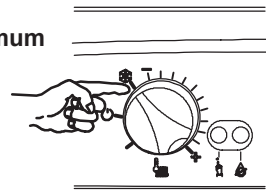
Fig. 2.4

## 2.4 C.H. circuit temperature

The output temperature of C.H. water is adjustable from a minimum of about 40°C to a maximum of about 85°C (Fig. 2.5), by turning the function selector (7).

Adjustment of C.H. output on the boiler is automatic.

Minimum



Maximum



Fig. 2.5

The greatest output pre-set in the factory can, however, be reduced in level according to actual system requirements; this does not affect the maximum output in D.H.W. operation.

Such adjustments must be carried out by a qualified person; therefore we advise you to contact your installer or Service Agent. Adjustment of the boiler temperature alters the gas flow at the burner according to the

# INSTRUCTIONS FOR USE

thermal demand in the system. So it is usual to see the burner lit at the minimum level for more or less long periods.

## Adjustment

In order to achieve optimal settings for economy and comfort, we recommend adjusting the operating temperature of the C.H. water according to the outside temperature, positioning the knob as follows:

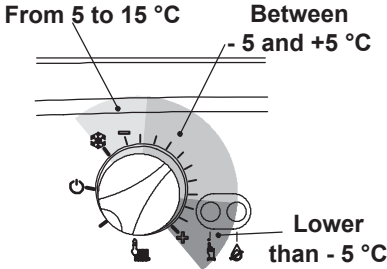


Fig. 2.6

Your qualified installer will be able to recommend the most suitable adjustment for your system. The temperature and pressure gauge (4, Fig. 1.3 on page 8) will allow you to check that the set temperature is obtained.

## 2.5 Switching off

To turn the boiler off set the function selector 7 to the position shown in Fig. 2.7.

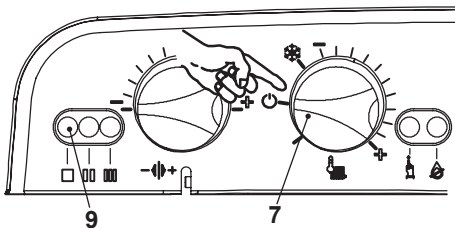


Fig. 2.7

The appliance operation light 9 will flash every 4 seconds.

When you do not expect to use the boiler for

a long period:

- Switch off the electricity supply to the boiler, by means of the fused spur isolation switch;
- Shut off the gas supply cock 12 and the valves for the water circuits fitted under the boiler (Fig. 2.8).
- Empty the water circuits, if necessary, as shown in section *General access and emptying hydraulic circuits* in the service manual.

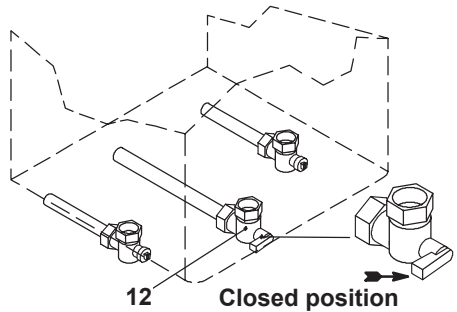


Fig. 2.8

## USEFUL ADVICE

### 3 USEFUL ADVICE

#### 3.1 Central Heating

For reasonably economical service install a room thermostat. Never shut off the radiator in the area where the room thermostat is installed.

If a radiator (or a convector) does not heat up, check that no air is present in it and that its valve is open. If the ambient temperature is too high, do not alter the radiator valves. Reduce the central heating temperature instead by means of the room thermostat and the function selector (7 in Fig. 3.1).

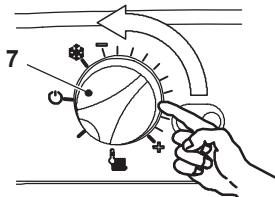


Fig. 3.1

#### 3.2 Frost protection

This appliance is provided with a built in anti-freeze system that operates the boiler when the temperature is below 5 °C

Therefore, when the boiler is not lit and used in cold weather, with consequent risk of freezing **do not switch off the boiler at the fused spur isolation switch or close the gas inlet cock.**

#### 3.3 Condensate drain

The condensate drain must not be modified or blocked. Blockage of the condensate drain, caused by debris or freezing, can cause automatic shutdown of the boiler.

If freezing is suspected and the pipe run is accessible an attempt may be made to free the obstruction by pouring hot water over the exposed pipe cleaning any blockage from the end of the pipe.

If this fails to remedy the problem the assis-

tance of a Gas Safe Registered Installer or in IE a competent person should be sought.

#### 3.4 Periodic maintenance

For efficient and continuous operation of the boiler, it is advisable to arrange maintenance and cleaning by an Authorised Service Centre Engineer, at least once a year.

During the service, the most important components of the boiler will be inspected and cleaned. This service can be part of a maintenance contract.

In particular, you are advised to have the following checks carried out:

- primary heat exchanger;
- burner;
- exhaust fume duct and flue;
- pressurisation of the expansion tank;
- filling up of the central heating circuit;
- bleeding of air from the central heating system;
- general check of the appliance's operation.

Please refer to the servicing information on section "MAINTENANCE" on page 50.

#### 3.5 External cleaning

- **Before carrying out any cleaning, disconnect the appliance from the electrical mains, using the fused spur isolation switch fitted adjacent to the appliance.**

To clean the external panels, use a cloth soaked in soapy water. Do not use solvents, abrasive powders or sponges.

**Do not** carry out cleaning of the appliance and/or its parts with readily flammable substances (for example petrol, alcohols, naphtha, etc.).

## USEFUL ADVICE

### 3.6 Operational faults

#### If the lock-out signal lamp comes on

This indicates that the safety lock-out 5 (Fig. 3.2) has stopped the boiler.

To re-start the boiler, it is necessary to press the boiler reset button 6 (Fig. 3.2).

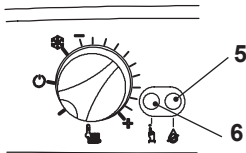


Fig. 3.2

For the first lighting up and following maintenance procedures for the gas supply, it may be necessary to repeat the resetting operation several times so as to remove the air present in the pipe work.

After five consecutive resetting attempts the reset button is inhibited. To restore its function it is necessary to switch the boiler off and on from the electrical mains, using the fused spur isolation switch fitted adjacent to the appliance.

Safety lock-out may occur even in case of a blockage of the condensate drainage (e.g. plugged drain pipe).

It is advisable to check the condensate drain-age pipe and traps for cleanness.



**In this case and in case of persistent lock-out call a competent and responsible Service Engineer.**

#### If noises due to air bubbles are heard during operation...

You should check that the pressure on the temperature and pressure gauge (Fig. 2.2 on page 10) is not below the correct setting.

If required, top up the system correctly, as described in the section "Refilling procedure" to page 10.

Bleed any air present in the radiators, if necessary.

#### If the pressure on the temperature and pressure gauge has gone down...

It is necessary to top up the appliance with water again, so as to raise the pressure to an adequate level as described in the section "Refilling procedure" to page 10. If topping up with water has to be done very frequently, have the system checked for leaks.

#### If water comes out of the pressure relief valve

Check on the temperature and pressure gauge that the pressure in the central heating circuit is not close to 3 bars. In this case, temperature rise in the circuit can cause the pressure relief valve to open.

So that this does not happen and to decrease the pressure to a normal value, it is advisable to vent some of the water in the appliance through the bleed valves present in the radiators.

#### If water should occasionally leak from the boiler...

Shut off the valves positioned under the boiler (Fig. 2.8 on page 12) and call an Authorised Service Centre Engineer.

**If the left appliance operation light 9 (Fig. 3.3) flashes very quickly the boiler is detecting a fault.**

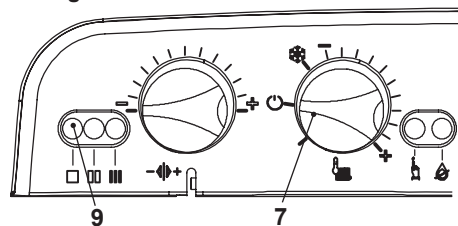


Fig. 3.3



**In this case or in case of problems other than those mentioned here, switch off the boiler, as described in section "Switching off" to page 12 and call a competent and responsible Service Engineer.**

---

# TECHNICAL INFORMATION

---

## 4 TECHNICAL INFORMATION

### 4.1 Overview

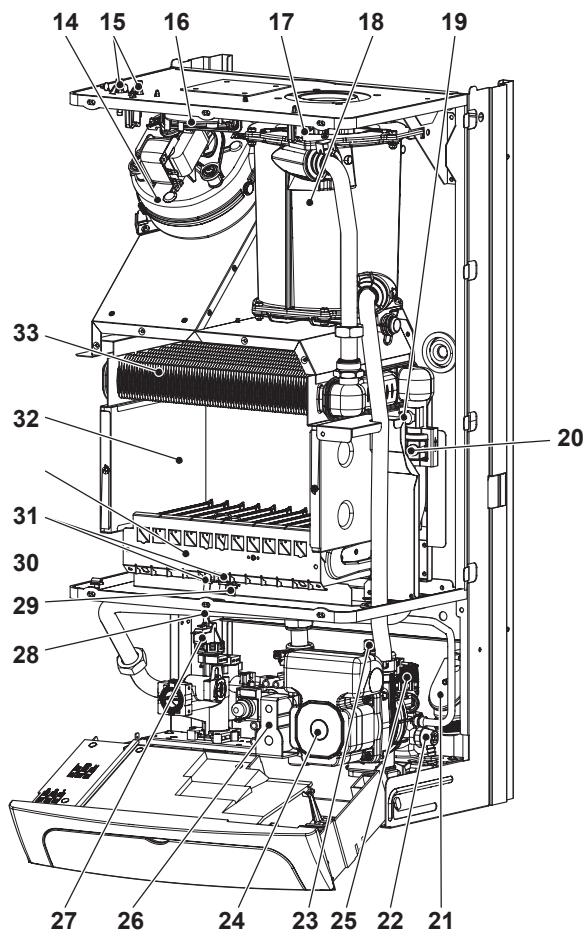


Fig. 4.1

# TECHNICAL INFORMATION

## 4.2 Main diagram

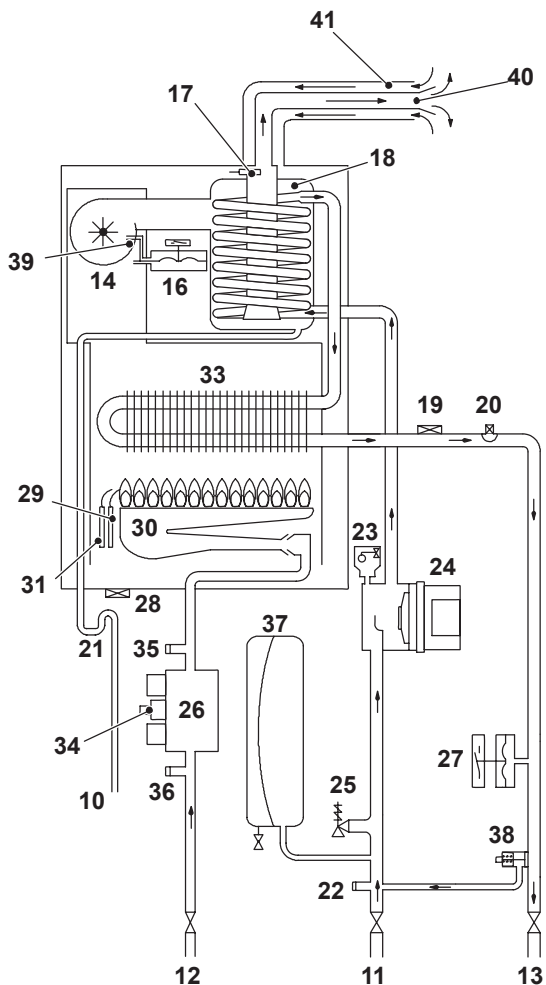


Fig. 4.2

- |                                    |                               |
|------------------------------------|-------------------------------|
| 10 Condensate drain pipe           | 17 Flue temperature probe NTC |
| 11 C.H. return valve               | 18 Condensing heat exchanger  |
| 12 Gas inlet valve                 | 19 Safety thermostat          |
| 13 C.H. flow valve                 | 20 C.H. temperature probe NTC |
| 14 Fan                             | 21 Condensate trap            |
| 15 Air pressure sensor test points | 22 Main circuit drain valve   |
| 16 Air pressure sensor             | 23 Automatic air purger valve |



---

## TECHNICAL INFORMATION

---

- 24 Pump
- 25 C.H. pressure relief valve
- 26 Modulation gas valve
- 27 Primary circuit pressure switch
- 28 Combustion chamber over heat
- 29 Flame-detecting electrode
- 30 Burner
- 31 Ignition electrodes
- 32 Combustion chamber
- 33 Primary heat exchanger
- 34 Modulation operator
- 35 Gas valve outlet pressure test point
- 36 Gas valve inlet pressure test point
- 37 C.H. expansion tank
- 38 By-pass valve
- 39 Fan pressure connection
- 40 Flue outlet pipe
- 41 Air intake pipe

# TECHNICAL INFORMATION

## 4.3 Technical data mod. Riva Plus HE 24S ERP

Heat input		
Nominal net <sup>(A)</sup> (C.H.)	kW	25,0
	BTU/h	85304
Nominal gross <sup>(B)</sup> (C.H.)	kW	27,8
	BTU/h	94687
Minimum net <sup>(A)</sup> C.H.	kW	7,5
	BTU/h	25591
Minimum gross <sup>(B)</sup> C.H.	kW	8,3
	BTU/h	28406

Useful output		
Maximum (C.H.)	kW	24,4
	BTU/h	83256
Minimum (C.H.)	kW	7,3
	BTU/h	24909
Maximum condensing (C.H.)	kW	26,3
	BTU/h	89739
Minimum condensing (C.H.)	kW	7,8
	BTU/h	26615

Central heating		
Min/Max flow temperature settings*	°C	50-85
Minimum return temperature	°C	40
Maximum pressure	kPa	250
	bar	2,5
Minimum pressure	kPa	30
	bar	0,3
Available head (in 1000 l/h)	kPa	25
	bar	0,25
Seasonal efficiency G20	%	88,1
Seasonal efficiency G30 G31 <sup>(C)</sup>	%	89,1

\* to the minimum useful output

Gas supply pressures			
Gas		Pa mbar	
		Natural G20	<b>Nom</b>
	<b>Min</b>	1700	17
	<b>Max</b>	2500	25
Butane G30	<b>Nom</b>	2900	29
	<b>Min</b>	2000	20
	<b>Max</b>	3500	35
Propane G31	<b>Nom</b>	3700	37
	<b>Min</b>	2500	25
	<b>Max</b>	4500	45

1 mbar approximately equals 10 mm H<sub>2</sub>O

Max. gas pressures at the burner		
Natural G20	Pa	1340
	mbar	13,4
Butane G30	Pa	2760
	mbar	27,6
Propane G31	Pa	3550
	mbar	35,5

Min. gas pressures at the burner		
Natural G20	Pa	140
	mbar	1,4
Butane G30	Pa	280
	mbar	2,8
Propane G31	Pa	350
	mbar	3,5

Ignition gas pressures at the burner		
Natural G20	Pa	850
	mbar	8,5
Butane G30	Pa	2110
	mbar	21,1
Propane G31	Pa	2700
	mbar	27,0

1 mbar approximately equals 10 mm H<sub>2</sub>O

# TECHNICAL INFORMATION

Gas rate maximum – C.H.		
Natural G20	m <sup>3</sup> /h	2,65
Butane G30	kg/h	1,97
Propane G31	kg/h	1,94
Gas rate minimum – C.H.		
Natural G20	m <sup>3</sup> /h	0,79
Butane G30	kg/h	0,59
Propane G31	kg/h	0,58

Gas restrictors references	N°	Ø mm /100
Natural G20	12	120
Butane G30	12	77
Propane G31	12	77

Electrical data		
Voltage	V~	230
Frequency	Hz	50
Nominal Power consumption	W	79
Minimum Power consumption	W	65
Stand-by Power consumption	W	3
Protection degree		IPX4D
External fuse rating	A	3
Internal fuse rating	A	N° 2 - 2 AF

Flue design		
Boiler type C12 C32 C42 C52 C82		
Ø Coaxial	mm	60/100
Ø Twin split pipes	mm	80/80
Ø Roof	mm	60/100
Ø Roof	mm	80/125
Nominal heat flow rate <sup>(A) (E)</sup>	kW	25,0
Exhaust temperature <sup>(E)</sup>	°C	60,0
Mass flow rate <sup>(E)</sup>	kg/s	0,0128

Flue gas figures		
Nominal heat input <sup>(A) (E)</sup>	kW	25,0
CO <sub>2</sub> content with gas G20	%	7,9
O <sub>2</sub> content with gas G20	%	6,8
CO content with gas G20	ppm	52,0
Exhaust temperature <sup>(E)</sup>	°C	60,0
NOx class		2,0
Weighted NOx	ppm	94

CO <sub>2</sub> contents		
Nominal heat input <sup>(A) (E)</sup>	kW	25,0
CO <sub>2</sub> content with gas G20	%	7,9
CO <sub>2</sub> content with gas G30 G31	%	9,1
Minimum heat input <sup>(A) (E)</sup>	kW	7,5
CO <sub>2</sub> content with gas G20	%	3,9
CO <sub>2</sub> content with gas G30 G31	%	4,5

Other specifications		
Height	mm	803
Width	mm	400
Depth	mm	350
Weight (dry)	kg	35,5
Water volume in the boiler (up to 1 bar)	l (kg)	1,4

<sup>(A)</sup> referred to the net calorific value at 15°C and 1013,25 mbar: G20 = 34,02 MJ/m<sup>3</sup> - G31 = 46,34 MJ/kg

<sup>(B)</sup> referred to the gross calorific value at 15°C and 1013,25 mbar: G20 = 37,78 MJ/m<sup>3</sup> - G31 = 50,37 MJ/kg

<sup>(C)</sup> The value is used in the UK Government's Standard Assessment Procedure (SAP) for energy rating of dwellings. The test data from which it has been calculated have been certified by a notified body.

<sup>(D)</sup> Values subject to tolerance

<sup>(E)</sup> Values refer tests with a 1 m flue working at the nominal heat input

(1208)

# TECHNICAL INFORMATION

Model(s):	<b>Riva Plus HE 24S ERP</b>
Condensing boiler:	Yes
Low-temperature boiler (**):	No
B1 boiler:	No
Cogeneration space heater:	No
If yes, equipped with a supplementary heater:	-
Combination heater:	No

Item	Symbol	Value	Unit
<b>Rated heat output</b>	$P_{rated}$	<b>24</b>	<b>kW</b>
For boiler space heaters and boiler combination heaters: Useful heat output			
At rated heat output and high-temperature regime (*)	$P_4$	24,4	kW
At 30% of rated heat output and low-temperature regime (**)	$P_1$	7,9	kW
Auxiliary electricity consumption			
At full load	$el_{max}$	0,079	kW
At part load	$el_{min}$	0,065	kW
In standby mode	$P_{SB}$	0,003	kW

Item	Symbol	Value	Unit
<b>Seasonal space heating energy efficiency</b>	$\eta_s$	<b>89</b>	<b>%</b>
For boiler space heaters and boiler combination heaters: Useful efficiency			
At rated heat output and high-temperature regime (*)	$\eta_4$	87,7	%
At 30% of rated heat output and low-temperature regime (**)	$\eta_1$	95,4	%
Other items			
Standby heat loss	$P_{stby}$	0,098	kW
Ignition burner power consumption	$P_{ign}$	-	kW
Annual energy consumption	$Q_{HE}$	79	GJ
Sound power level, indoors	$L_{WA}$	48	dB
Emission of nitrogen oxides	$NO_x$	166	mg/kWh

For combination heaters:

<b>Declared load profile</b>			
Daily electricity consumption	$Q_{elec}$		kWh
Annual electricity consumption	AEC		kWh

<b>Water heating energy efficiency</b>	$\eta_{wh}$		%
Daily fuel consumption	$Q_{fuel}$		kWh
Annual fuel consumption	AFC		GJ

Contact details

See manual cover

(\*) High-temperature regime means 60°C return temperature at heater inlet and 80°C feed temperature at heater outlet.

(\*\*) Low temperature means for condensing boilers 30°C, for low-temperature boilers 37°C and for other heaters 50°C return temperature (at heater inlet).

# TECHNICAL INFORMATION

## 4.4 Technical data mod. Riva Plus HE 28S ERP

Heat input		
Nominal net <sup>(A)</sup> (C.H.)	kW	29,0
	BTU/h	98952
Nominal gross <sup>(B)</sup> (C.H.)	kW	32,2
	BTU/h	109837
Minimum net <sup>(A)</sup> C.H.	kW	8,7
	BTU/h	29686
Minimum gross <sup>(B)</sup> C.H.	kW	9,7
	BTU/h	32951

Useful output		
Maximum (C.H.)	kW	28,3
	BTU/h	96564
Minimum (C.H.)	kW	8,4
	BTU/h	28662
Maximum condensing (C.H.)	kW	30,6
	BTU/h	104411
Minimum condensing (C.H.)	kW	9,1
	BTU/h	31050

Central heating		
Min/Max flow temperature settings*	°C	50-85
Minimum return temperature	°C	40
Maximum pressure	kPa	250
	bar	2,5
Minimum pressure	kPa	30
	bar	0,3
Available head (in 1000 l/h)	kPa	25
	bar	0,25
Seasonal efficiency G20	%	88,1
Seasonal efficiency G30 G31 <sup>(C)</sup>	%	89,1

\* to the minimum useful output

Gas supply pressures			
Gas		Pa mbar	
Natural G20	<b>Nom</b>	2000	20
	<b>Min</b>	1700	17
	<b>Max</b>	2500	25
Butane G30	<b>Nom</b>	2900	29
	<b>Min</b>	2000	20
	<b>Max</b>	3500	35
Propane G31	<b>Nom</b>	3700	37
	<b>Min</b>	2500	25
	<b>Max</b>	4500	45

1 mbar approximately equals 10 mm H<sub>2</sub>O

Max. gas pressures at the burner		
Natural G20	Pa	1330
	mbar	13,3
Butane G30	Pa	2780
	mbar	27,8
Propane G31	Pa	3550
	mbar	35,5

Min. gas pressures at the burner		
Natural G20	Pa	140
	mbar	1,4
Butane G30	Pa	260
	mbar	2,6
Propane G31	Pa	350
	mbar	3,5

Ignition gas pressures at the burner		
Natural G20	Pa	850
	mbar	8,5
Butane G30	Pa	2110
	mbar	21,1
Propane G31	Pa	2700
	mbar	27,0

1 mbar approximately equals 10 mm H<sub>2</sub>O

# TECHNICAL INFORMATION

Gas rate maximum – C.H.		
Natural G20	m <sup>3</sup> /h	3,07
Butane G30	kg/h	2,29
Propane G31	kg/h	2,25
Gas rate minimum – C.H.		
Natural G20	m <sup>3</sup> /h	0,92
Butane G30	kg/h	0,69
Propane G31	kg/h	0,68

Gas restrictors references	N°	Ø mm /100
Natural G20	14	120
Butane G30	14	77
Propane G31	14	77

Electrical data		
Voltage	V~	230
Frequency	Hz	50
Nominal Power consumption	W	90
Minimum Power consumption	W	75
Stand-by Power consumption	W	3
Protection degree		IPX4D
External fuse rating	A	3
Internal fuse rating	A	N° 2 - 2 AF

Flue design		
Boiler type		
C12 C32 C42 C52 C82		
Ø Coaxial	mm	60/100
Ø Twin split pipes	mm	80/80
Ø Roof	mm	60/100
Ø Roof	mm	80/125
Nominal heat flow rate <sup>(A) (E)</sup>	kW	29,0
Exhaust temperature <sup>(E)</sup>	°C	60,0
Mass flow rate <sup>(E)</sup>	kg/s	0,0147

Flue gas figures		
Nominal heat input <sup>(A) (E)</sup>	kW	29,0
CO <sub>2</sub> content with gas G20	%	7,9
O <sub>2</sub> content with gas G20	%	6,8
CO content with gas G20	ppm	53,0
Exhaust temperature <sup>(E)</sup>	°C	60,0
NOx class		2,0
Weighted NOx	ppm	90

CO <sub>2</sub> contents		
Nominal heat input <sup>(A) (E)</sup>	kW	29,0
CO <sub>2</sub> content with gas G20	%	7,9
CO <sub>2</sub> content with gas G30 G31	%	9,1
Minimum heat input <sup>(A) (E)</sup>	kW	8,7
CO <sub>2</sub> content with gas G20	%	3,9
CO <sub>2</sub> content with gas G30 G31	%	4,3

Other specifications		
Height	mm	803
Width	mm	400
Depth	mm	350
Weight (dry)	kg	36,7
Water volume in the boiler (up to 1 bar)	l (kg)	1,5

<sup>(A)</sup> referred to the net calorific value at 15°C and 1013,25 mbar: G20 = 34,02 MJ/m<sup>3</sup> - G31 = 46,34 MJ/kg

<sup>(B)</sup> referred to the gross calorific value at 15°C and 1013,25 mbar: G20 = 37,78 MJ/m<sup>3</sup> - G31 = 50,37 MJ/kg

<sup>(C)</sup> The value is used in the UK Government's Standard Assessment Procedure (SAP) for energy rating of dwellings. The test data from which it has been calculated have been certified by a notified body.

<sup>(D)</sup> Values subject to tolerance

<sup>(E)</sup> Values refer tests with a 1 m flue working at the nominal heat input

(1209)

# TECHNICAL INFORMATION

Model(s):	<b>Riva Plus HE 28S ERP</b>
Condensing boiler:	Yes
Low-temperature boiler (**):	No
B1 boiler:	No
Cogeneration space heater:	No
If yes, equipped with a supplementary heater:	-
Combination heater:	No

Item	Symbol	Value	Unit
<b>Rated heat output</b>	$P_{rated}$	<b>28</b>	<b>kW</b>
For boiler space heaters and boiler combination heaters: Useful heat output			
At rated heat output and high-temperature regime (*)	$P_4$	28,3	kW
At 30% of rated heat output and low-temperature regime (**)	$P_1$	9,2	kW
Auxiliary electricity consumption			
At full load	$el_{max}$	0,090	kW
At part load	$el_{min}$	0,075	kW
In standby mode	$P_{SB}$	0,003	kW

Item	Symbol	Value	Unit
<b>Seasonal space heating energy efficiency</b>	$\eta_s$	<b>89</b>	<b>%</b>
For boiler space heaters and boiler combination heaters: Useful efficiency			
At rated heat output and high-temperature regime (*)	$\eta_4$	88,0	%
At 30% of rated heat output and low-temperature regime (**)	$\eta_1$	95,2	%
Other items			
Standby heat loss	$P_{stby}$	0,113	kW
Ignition burner power consumption	$P_{ign}$	-	kW
Annual energy consumption	$Q_{HE}$	92	GJ
Sound power level, indoors	$L_{WA}$	49	dB
Emission of nitrogen oxides	$NO_x$	158	mg/kWh

For combination heaters:

Declared load profile	Symbol	Value	Unit
Daily electricity consumption	$Q_{elec}$		kWh
Annual electricity consumption	AEC		kWh

Water heating energy efficiency	Symbol	Value	Unit
Water heating energy efficiency	$\eta_{wh}$		%
Daily fuel consumption	$Q_{fuel}$		kWh
Annual fuel consumption	AFC		GJ

Contact details See manual cover

(\*) High-temperature regime means 60°C return temperature at heater inlet and 80°C feed temperature at heater outlet.

(\*\*) Low temperature means for condensing boilers 30°C, for low-temperature boilers 37°C and for other heaters 50°C return temperature (at heater inlet).

**INSTALLATION**

# TECHNICAL INFORMATION

## 4.5 Hydraulic specifications

The hydraulic specifications represent the pressure (available head for the central heating system) as a function of the flow rate.

### Model Riva Plus HE 24S ERP

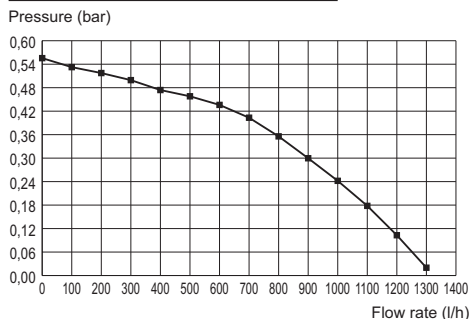


Fig. 4.3

### Model Riva Plus HE 28S ERP

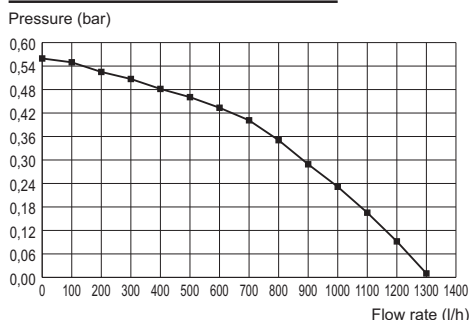


Fig. 4.4

The load loss due to the boiler has already been subtracted.

### Output with thermostat cocks shut off

The boiler is equipped with an automatic by-pass valve (38 on pag. 17), which protects the condensing primary exchanger. In case of excessive reduction or total stopping of water circulation in the heating system due to the closing of thermostatic valves or circuit elements valves, the by-pass ensures a minimum flow of water through the primary heat exchanger.

## 4.6 Expansion vessel

**Note: this boiler is designed for operation only in a sealed central heating system**

The height difference between the pressure relief valve and the highest point in the system may be 10 m at most.

For greater differences, increase the pre-load pressure in the expansion vessel and the system, when cold, by 0.1 bar for each additional 1 m.

Capacity	l	8.0
Pre-load pressure	kPa	100
	bar	1.0
Useful capacity	l	4.0
Maximum volume of water in the system *	l	124

Fig. 4.5

\* Where conditions are:

- Average maximum temperature of the system is 85 °C
- Initial temperature when filling up the system is 10 °C

**!** For systems with volumes greater than 124 l, an additional expansion vessel must be provided.



---

# GENERAL REQUIREMENTS

---

## 5 GENERAL REQUIREMENTS



Benchmark places responsibilities on both manufacturers and installers. The purpose is to ensure that customers are provided with the correct equipment for their needs, that it is installed, commissioned and serviced in accordance with the manufacturer's instructions by competent persons and that it meets the requirements of the appropriate Building Regulations. The Benchmark Checklist can be used to demonstrate compliance with Building Regulations and should be provided to the customer for future reference.

Installers are required to carry out installation, commissioning and servicing work in accordance with the Benchmark Code of Practice which is available from the Heating and Hotwater Industry Council who manage and promote the Scheme. Visit [www.centralheating.co.uk](http://www.centralheating.co.uk) for more information.

Our Company supports the Benchmark initiative. The Benchmark Checklist is located at the back of this manual and should be completed by the Installing/Commissioning Gas Safe Registered Engineer and handed over to the User for future reference by other visiting Engineers. Also included is the Service Interval Record card that should be completed by the Service Engineer following the annual service maintenance of the boiler and system. For Ireland (IE), it is necessary to complete a "Declaration of Conformity" to indicate compliance to I.S.813.2002.

This appliance must be installed by a competent person in accordance with the Gas Safe (installation & Use) Regulations.

### 5.1 Related documents

The installation of this appliance must be in accordance with the relevant requirements of the current Gas Safe (Installation & Use) Regulations, the Local Building Regulations, the current I.E.E. Wiring Regulations, the Regulations and by-laws of the local water undertaking, and in Scotland, in accordance with the Building Standards (Scotland) Regulation. Health and safety document n° 635 "Electricity at work regs."

It should also be in accordance with the British Standard Codes of Practice:

In Ireland (IE). The installation must be carried out by a Competent Person and registered with the RGII and installed in accordance with the current edition of I.S.813.2002 "Domestic Gas Installations" the current Building Regulations and reference should be made to the current ETCI rules for electrical installations.

### 5.2 Location of appliance

The appliance may be installed in any room or internal space, although particular attention is drawn to the requirements of the current I.E.E. Wiring Regulations, and in Scotland, the electrical provisions of the Building Regulations applicable in Scotland, with respect to the installation of the combined appliance in a room containing a bath or shower.

For Ireland (IE), reference should be made to the current edition of I.S.813.2002 and the current ETCI rules for electrical installations.

**Where a room-sealed appliance is installed in a room containing a bath or shower, any electrical switch or appliance control, utilising mains electricity should be so situated that it cannot be touched by a person using the bath or shower.**

The location must permit the provision of an adequate flue and termination. For unusual locations special procedures may be necessary and BS 6798 gives detailed

# GENERAL REQUIREMENTS

guidance on this aspect.

A compartment used to enclose the appliance must be designed specifically for this purpose. This appliance is not suitable for external installation.

## 5.3 Flue system

The provision for satisfactory flue termination must be made as described in BS 5440 part 1. For Ireland (IE), refer to I.S.813.2002.

The appliance must be installed so that the flue terminal is exposed to external air.

It must not be installed so that the terminal discharges into another room or space as an outhouse or lean-to. It is important that the position of the terminal allows a free passage of air across at all times.

The terminal should be located with due regard for the damage or discoloration that might occur to building products in the vicinity. In cold and/or humid weather water vapour may condense on leaving the flue terminal; the effect of such "steaming" must be considered.

Plumbing may easily occur at the terminal. Where possible, terminal position which could cause a nuisance should be avoided.

The minimum acceptable spacing from the terminal to obstructions and ventilation openings are specified in Fig. 5.1.

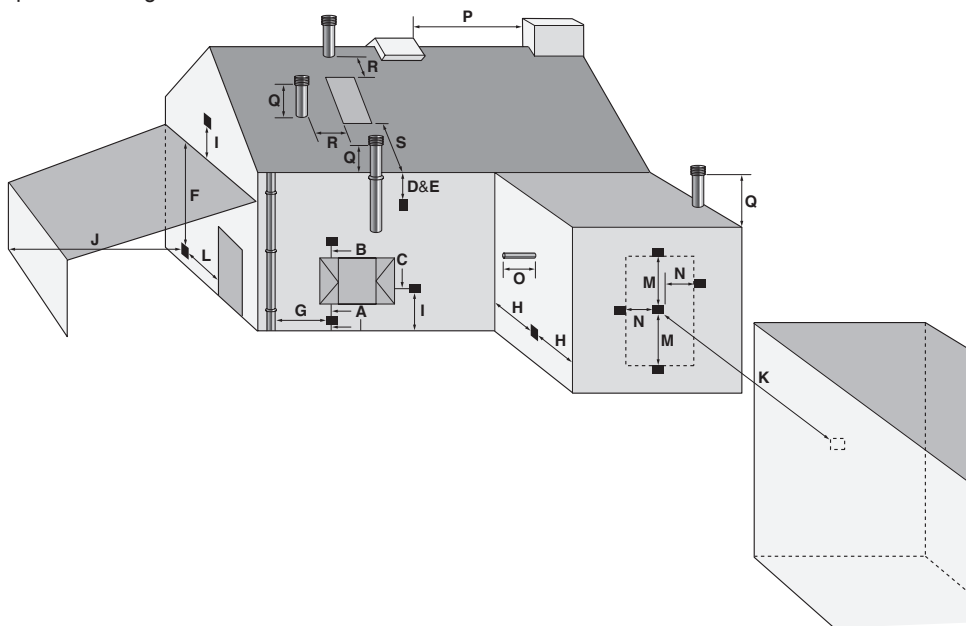


Fig. 5.1

# GENERAL REQUIREMENTS

Symbol	Location position	Minimum dimensions (mm)
A *	Directly below an opening, air brick, opening window, etc.	300
B *	Above an opening, air brick, opening window, etc.	300
C *	Horizontally to an opening, air brick, opening window, etc.	300
D **	Below temperature-sensitive building components, e.g. plastic gutter soil pipes or drain pipes	75
E **	Below eaves	200
F	Below balconies	200
G	From a vertical drain pipe or soil pipe	150
H ***	From an internal or external corner	300
I	Above ground, roof or balcony level	300
J	From a surface facing a terminal	600
K	From a terminal facing a terminal	1 200
L	From an opening in the car-port (e.g. door, window) into the dwelling	Not recommended
M	Vertically from a terminal on the same wall	1 500
N	Horizontally from a terminal on the same wall	300
O	From the wall on which the terminal is mounted	Please refer to the flue assembly instructions
P	From a vertical structure on the roof	600
Q	Above intersection with the roof	600
R	From a roof window and terminal	600
S	From a roof window and terminal	2 500

\* In addition, for temperature and structural reasons, the terminal should not be near than 150 mm to an opening in the building fabric formed for the purpose of accommodating a built-in element such as a sealed window frame.

\*\* A heat protection shield should also be installed.

\*\*\* The reference to external corners does not apply to building protrusions not exceeding 450 mm, such as disused chimneys on external walls.

## 5.4 Gas supply

The Gas meter is connected to the service pipe by the local gas region or a local gas region contractor.

If the gas supply for the boiler serves other appliances ensure that an adequate supply is available both to the boiler and the other appliance when they are in use at the same time.

Pipework must be of adequate size. Pipes of a smaller size than the boiler inlet connection should not be used.

Installation pipes should be fitted in accordance with BS 6891 and the complete installation should be tested for tightness.

For Ireland (IE), refer to I.S.813.2002.

# GENERAL REQUIREMENTS

## 5.5 Air supply

The room in which the boiler is installed does not require a purpose provided air vent.

## 5.6 Ventilation

If installed in a cupboard or compartment, it is not necessary to provide additional ventilation for cooling for this particular product. However consideration must be given to clearance requirements for maintenance (section "Precautions for installation" to page 31) and under no circumstances must stored articles be allowed to come into contact with the boiler or flue pipe.

## 5.7 Condensate drain

Ensure that the condensate discharge complies with the national or local regulations in force. The condensate pipe must be fitted in accordance with Building Regulations.

Drain pipe material should be resistant to acid as the condensate is slightly acid with a pH less than 6.5. The boiler includes a trap (21 on pag. 16) that prevents the combustion products entering the drain.

The boilers incorporate a condensate trap with a 75 mm seal to comply with BS 6798: 2008. The schematic diagrams of possible connections are given in Fig. 5.2 and Fig. 5.3. The length of the condensate pipe should be kept to a minimum, any external pipe should not be more than 3 m in 32 mm pipe and insulated to prevent freezing.

To avoid condensate being trapped:

- the drain pipe should be run with a fall of at least 2.5° (45 mm/m) away from the boiler;
- the number of bends and joints should be kept at minimum;
- the drain pipe should be adequately fixed to prevent pipe sagging.

If a part of the drain pipe runs externally this part should be kept as short as possible and

protected to reduce the risk of freezing.

### Connection of condensate drainage pipe to internal soil and vent stack.

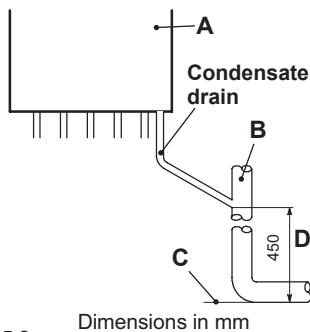


Fig. 5.2

- A Boiler
- B Internal soil and vent stack
- C Invert
- D 450 mm up to three storeys

### Connection of condensate drainage pipe downstream of a sink waste trap

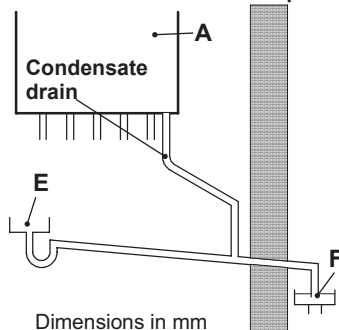


Fig. 5.3

- A Boiler
- E Sink
- F Open end of condensate drainage pipe direct into gully below grating but above water level

### Combined condensate and PRV discharge

It is possible to combine the PRV and condensate discharge pipes providing the following precautions are followed explicitly.

- A WRAS approved dry trap such as the Tesla DTUN 1522 is utilised.

# GENERAL REQUIREMENTS

- That the condensate is connected downstream of the trap as shown in the drawing and no copper pipe is utilised below this point.
- That the 32 mm equal T and subsequent downstream connection waist pipe is HT certified and capable of handling the potential short term expected temperature such as HDPE or polypropylene, consideration should also be given to the type of stack and its material in the event of the PRV activating.

At all times during design and component selection a worst case scenario event should be considered e.g. a short term exposure of high flow at high temperature along with normal running conditions of the corrosive nature of the condensate.

## Connection combined condensate and PRV discharge.

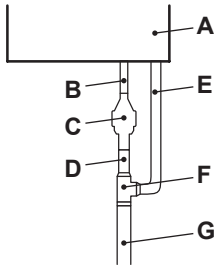


Fig. 5.4

- A Boiler
- B 15 mm copper PRV discharge pipe work
- C WRAS approved dry trap such as the Tesla DTUN1522
- D 22 mm copper PRV discharge pipe work
- E 21.5 mm solvent condensate discharge pipe work
- F High temperature rated equal 32 mm T with required adapters for condensate and PRV inlets
- G High temperature rated Waist discharge pipe work with a minimum diameter of 32 mm

## 5.8 Water circulation (C.H.)

Detailed recommendations are given in BS 6798, BSEN 12828: 2003, BSEN 12831: 2003 & BSEN 14446: 2004; the following notes are given for general guidance.

For Ireland (IE), refer to I.S.813.2002.

### Pipework

The return temperature must not be lower of 40 °C. Copper tubing to BSEN 1057 is recommended for water pipes. Jointing should be either with capillary soldered or with compression fittings.

Where possible pipes should have a gradient to ensure air is carried naturally to air release points and water flows naturally to drain taps. The appliance has a built-in automatic air release valve, it should be ensured as far as possible that the appliance heat exchanger is not a natural collecting point for air.

Except where providing useful heat, pipes should be insulated to prevent heat loss and to avoid freezing.

Particular attention should be paid to pipes passing through ventilated spaces in roofs and under floors.

### By-pass

The appliance includes an automatic by-pass valve which protects the main heat exchanger in case of reduced or interrupted water circulation through the heating system due to the closing of thermostatic valves or isolation valves within the system.

The by-pass is calibrated to assure a minimum flow of 200-300 lts/hr through the main heat exchanger.

If you are installing a system that includes thermostatic radiator valves (TRV) and/or small bore (8-10 mm) it may be necessary to fit an external by-pass to facilitate correct operation of the boiler.

The fitting of an external bypass helps to prevent and limit system noise.

# GENERAL REQUIREMENTS

## Air release points

These must be fitted at all high points where air will naturally collect and must be sited to facilitate complete filling of the system.

## Expansion vessel

The appliance has an integral sealed expansion vessel to accommodate the increase of water volume when the system is heated. Refer to Fig. 4.5 on page 24 for its technical data. If the heating circuit has an unusually high water content, calculate the total expansion and add an additional sealed expansion vessel with adequate capacity.

## Mains water feed: central heating

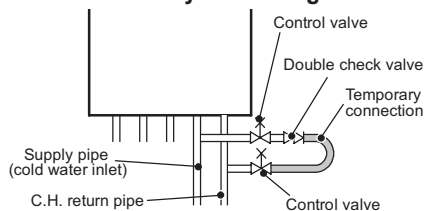
There must be no direct connection to the mains water supply even through a non return valve, without the approval of the Local Water Authority.

## Filling

A method for initially filling the system and replacing water lost during servicing must be provided and it must comply with local water authority regulations.

The correct method is shown in Fig. 5.5.

**The temporary connection must be removed immediately after filling.**



**Fig. 5.5**

The installer should ensure that no leaks exist either inside the boiler or on the system as frequent filling of the system could cause premature scaling of the heat exchanger.

## 5.9 Water treatment

### C.H. circuit

Where a new boiler is fitted to a new system

with either plastic or copper pipes, it is important the system is fully flushed, on completion, to ensure flux residues, swarf, oils and other installation debris is removed.

Where a new boiler is fitted to an existing system, it is important the debris from the existing system is fully removed in order to ensure the efficiency of the new appliance is maintained. Details on flushing procedure are given in the section "Initial filling of the system" to page 42 of this manual.

## 5.10 Electrical supply

### Warning, this appliance must be earthed

External wiring to the appliance must be carried out by a competent person and be in accordance with the current I.E.E. Regulations and any local regulations which apply.

Reference should be made to the current ETCI rules for electrical installations.

For Ireland (IE), refer to I.S.813.2002.

The boiler is supplied for connection to a 230 V~ 50 Hz supply.

**! The mains supply to this appliance must be protected with a 3A mains fuse, under no circumstance should this fuse rating be exceeded.**

The method of connection to the electricity supply must facilitate complete electrical isolation of the appliance by the use of a fused spur isolation switch. Its installation permits a complete switching off in the conditions of the overvoltage category III. Alternatively it can be connected with a 3A fused three pin plug and unswitched shuttered socket outlet both complying with BS 1363.

The point of connection to the electricity supply must be readily accessible and adjacent to the appliance, except where the appliance is installed in a bathroom, this must then be sited outside the bathroom.

# INSTALLATION

## 6 INSTALLATION

### 6.1 Warnings

The use of gas appliances is subject to statutory control; it is essential to observe the current regulations and laws in force (see also chapter 5).

The appliance must discharge combustion products directly outside or into a suitable exhaust duct designed for this purpose. Combustion products must be discharged using original flue kits only, since they are integral parts of the boiler.

For LPG, the appliance must also conform with the requirements of the distributors and comply with current Regulations and laws in force.

The safety relief valve and the condensate drain must be connected to a suitable drain, or discharged in a safe manner.

The electrical wiring must conform with current Regulations, in particular:

- the boiler must be earthed using the correct bonding clamp.
- a fused spur isolation switch, must be installed near to the boiler that allows complete isolation in category III over voltage conditions.

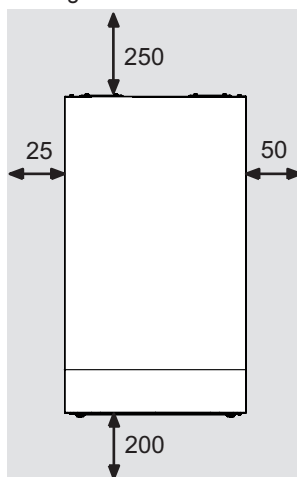
Refer to section "Electrical connections" to page 36 in this chapter for the electrical connections.

**Under no circumstances will the manufacturer be held responsible if the warnings and instructions contained in this manual have not been complied with.**

### 6.2 Precautions for installation

The following prescriptions must be respected for installation:

- The boiler must be fixed to a strong wall.
- The dimensions for the flue system (detailed in section "Choice of flue" to page 33) and the correct procedures for installing the flue, depicted in the instruction leaflet included with the flue kit, must be complied with during installation.
- To allow maintenance procedures it is necessary to leave the minimum clearances indicated in Fig. 6.1.



All measurements are in mm

Fig. 6.1

- When installing the boiler in a cupboard, cover or alcove allow at least 50 mm permanent clearance from the front face of the boiler. Also ensure sufficient clearance to allow free access for servicing.
- Before installing the boiler on an existing C.H. system, flush it out thoroughly before fitting the boiler, so as to remove system debris.

It is advisable to equip the system with a qual-

# INSTALLATION

ity magnetic system filter, you should also use a water-treatment product in the circulating water.

The latter option in particular, has an anti-corrosive effect by promoting formation of a protective skin on metal surfaces and neutralising gases present in the water.

We recommend the use of a suitable Build-cert approved universal inhibitor to protect the C.H. system from corrosion.

Biasi UK strongly recommend that matched system chemicals are used, this will ensure that no unwanted chemical reactions take place as system chemical manufacturers ensure own brand compatibility.

## 6.3 Installing the bracket

### Precautions

Before mounting the bracket, check that the dimensions for fitting the flue system are complied with (refer to the leaflet included with the flue kit, packed separately).

Utilise the paper template supplied with the boiler to determine the fixing position for the bracket and boiler. Securely mount the bracket to the wall using appropriate fixings suitable for the type of wall construction and capable of supporting the total (wet) load. Refer to the weight given in the technical data tables specific for each model.

## 6.4 Overall dimensions

The boiler respects the following dimensions:

- A** Flue outlet / air intake pipe (co-axial)
- B** Flue outlet pipe  $\varnothing$  80 mm (twin kit)
- C** Air intake pipe  $\varnothing$  80 mm (twin kit)
- D** Electric connections area
- E** C.H. flow
- F** Gas
- G** C.H. return
- H** Condensate drain connection area

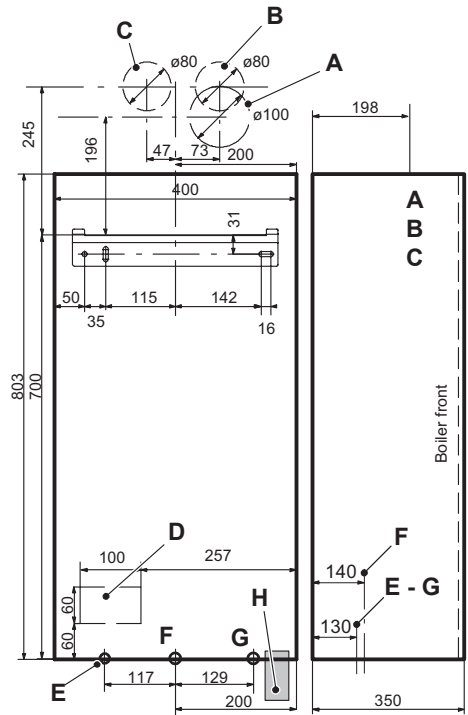


Fig. 6.2

## 6.5 Joints

Functions	Pipe sizes (o.d)
Gas, C.H. return, C.H. flow	$\varnothing$ 22
Pressure relief valve	$\varnothing$ 15
Condensate drain	$\varnothing$ 25 (rubber)
<i>sizes in mm o.d.</i>	

Condensate drained with  $\varnothing$  21.5 mm solvent weld pipe

## 6.6 Mounting the boiler

- Take the protective caps off the boiler pipe-work.
- Thoroughly clean the connections.
- Fix the C.H. valves "A" to position "E" and "G" (Fig. 6.2) using the 3/4" gaskets.



# INSTALLATION

- Fix the gas cock "B" to position "F" (Fig. 6.2) using the 3/4" gasket.
- Fix the Ø 22 mm copper pipes "C - D" to the valves "A - B" using the 3/4" gaskets.

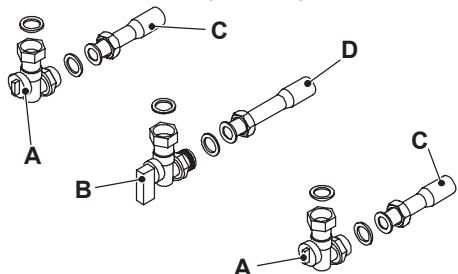


Fig. 6.3

- Connect the pipe E (Fig. 6.4) from the pressure relief valve to the safety discharge pipework.
- Fit the condensate drain 10 (Fig. 6.4) in the air brake connected to the drainage pipe-work. See also section "Condensate drain" to page 28.

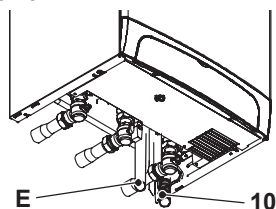


Fig. 6.4

## 6.7 Fitting the flue system

Refer to the assembly instructions contained within the chosen flue kit packaging for the correct assembly and installation.

In general, it has to be taken in consideration that the horizontal run of the flue pipe must have an horizontal sloping not less than 1.5 deg. (25 mm per metre) towards the boiler.

In the standard horizontal flue kit (Fig. 6.6 A) the flue pipe is angled within the air duct therefore the air duct must be horizontally installed.

If one or more extensions have to be used they must be adequately supported so that there is no sag in the flue pipe and a minimum

fall of 1,5 deg. (25 mm per metre) over the whole length towards the boiler is ensured. Before fitting the flue system, ensure that the flue gasket shown in Fig. 6.5 (given with the boiler) is fitted to the boiler.

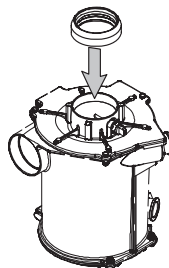


Fig. 6.5

## 6.8 Choice of flue

The following flue kits are available for connecting to the boiler:

### Standard horizontal flue kit (Fig. 6.6 A)

This kit can be fitted to allow discharge to the rear or either side of the boiler via the flanged boiler adapter elbow.

This flue system can only be used to discharge horizontally, it is not designed to enable termination in the vertical plane.

Coaxial pipe Ø 60/100 (A)	
Nominal length	1 m
Minimum length	0.3 m
Maximum length	2.7 m

# INSTALLATION

Type C13

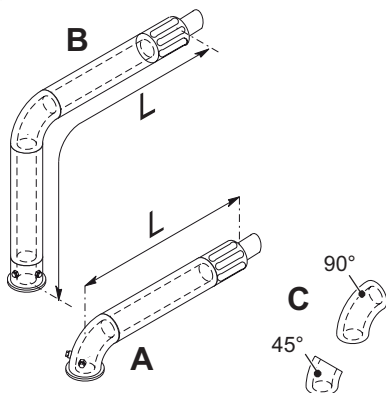


Fig. 6.6

### Vertical kit with 90° elbow (Fig. 6.6 B)

Supplied with a straight flanged adapter a coaxial elbow and a coaxial pipe with terminal, this kit allows for a vertical rise of 0.5 m from the boiler.

The flue terminal must discharge horizontally.

Coaxial pipe Ø 60/100 with 90° elbow (B)	
Nominal length	1.5 m
Minimum length	0.5 m
Maximum length	2.5 m

### Elbows 45° & 90° (Fig. 6.6 C)

Coaxial 60/100 mm.

Elbow kits enable the standard flue kits to be offset to overcome obstructions or ensure the correct clearances for the flue terminal. Each elbow used in addition to the standard flanged elbow reduces the overall acceptable length of the flue system as follows:

For the elbow of 45° loss	0.5 m
For the elbow of 90° loss	1 m

### Twin pipe kits ø 80 mm (Fig. 6.7 - Fig. 6.8)

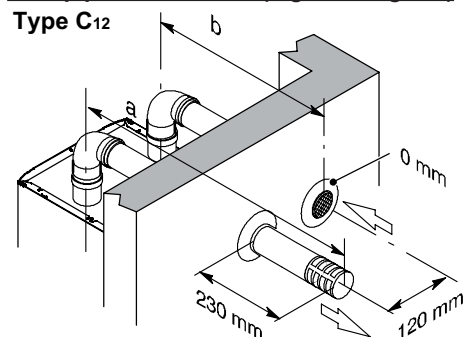


Fig. 6.7

Various twin (split) pipes kits and optional accessories (elbows) are available to assist in the termination of the flue where the boiler is installed in a location remote to an outside wall.

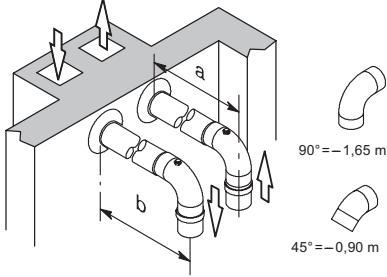
These kits allow for separation of the air supply pipe from the pipe that discharges the exhaust gasses. Consequently it is possible to extend the flue system to a greater distance than that provided by the standard horizontal coaxial flue.

Each elbow used in addition to the standard flanged elbow reduces the overall acceptable length of the flue system as follows:

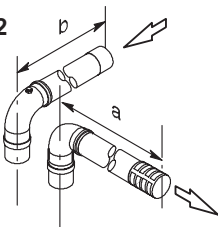
For the elbow of 45° loss	0.9 m
For the elbow of 90° loss	1.65 m

# INSTALLATION

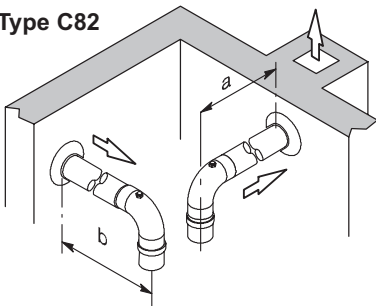
**Type C42**



**Type C52**



**Type C82**



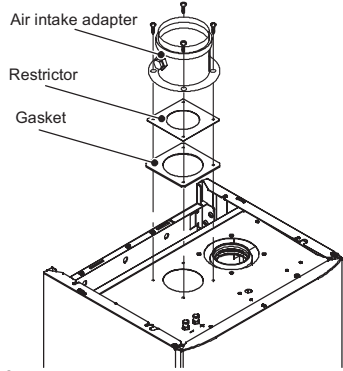
**Fig. 6.8**

**N.B:** The air intake and the flue outlet must not terminate on opposite sides of the building.

Two restrictors with different size are supplied with the twin pipe kit and have to be installed between the boiler and the air intake adapter (Fig. 6.9).

For the correct use of the restrictors **with twin pipes** refer to the table:

Equivalent length (air duct + flue duct)	Restrictor
Between 1 and 15 m	Ø 50 mm
More than 15 m up to 30 m	Ø 55 mm



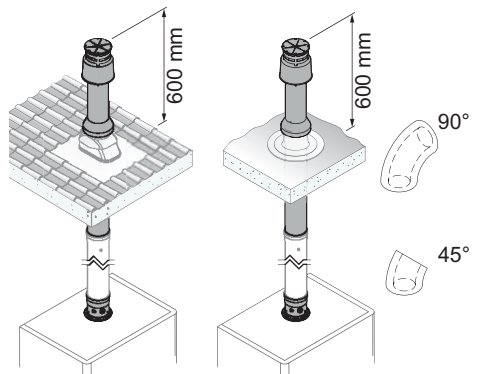
**Fig. 6.9**

## Vertical- roof kit (Fig. 6.10)

This kit allows vertical termination of the flue pipe through the roof.

Coaxial pipe	Ø 60/100 mm	Ø 80/125 mm
Nominal height	1.2 m	1.2 m
Maximum height	8.5 m	8.5 m

**Type C32**



**Fig. 6.10**

Extension pieces (Coaxial) are also available which allows the flue system to be extended to a total overall maximum permissible length. Each additional elbow reduces the overall acceptable length of the flue system as follows:

# INSTALLATION

For the elbow of 45° loss	0,5 m
For the elbow of 90° loss	1 m

## Plumbing kit (Fig. 6.11) (Fig. 6.12)

Coaxial  $\varnothing$  60/100 mm + vertical part  $\varnothing$  60 mm (flue outlet).

Coaxial $\varnothing$ 60/100 mm (b) + vertical part $\varnothing$ 60 mm (a)	
Telescopic coaxial flue	0.45-0.95 m
Maximum length (a + b)	2.8 m

This kit allows the products of combustion to be discharged at a different location to the air intake to avoid nuisance issues.

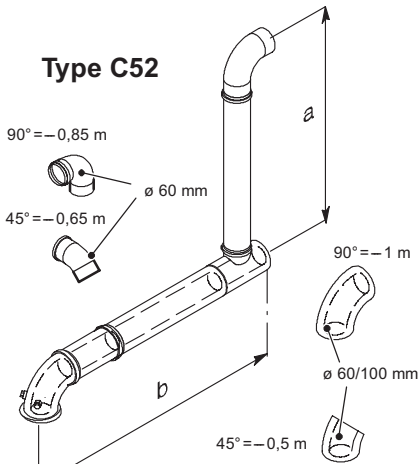


Fig. 6.11

60 mm elbows and extensions can be added to the vertical section.

Each additional elbow reduces the overall acceptable length of the flue system as follows:

For the bend of 45° (60/100 mm) loss	0.5 m
For the bend of 90° (60/100 mm) loss	1 m
For the bend of 45° (60 mm) loss	0.65 m
For the bend of 90° (60 mm) loss	0.85 m

The chart of Fig. 6.12 gives the allowable dimensions of the ducts "a" and "b" of Fig. 6.11. "a" vertical length (m)

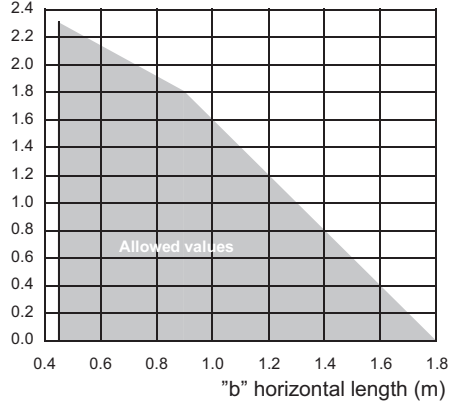


Fig. 6.12

A Plume deflector is available to assist in overcoming boundary nuisance issues.

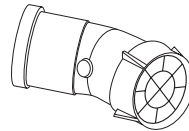


Fig. 6.13

## 6.9 Electrical connections

### Connection to the electricity supply

- Remove the front panel of the case (see the section "Dismantling the external panels" to page 50).
- Remove the screws I and J (Fig. 6.14).

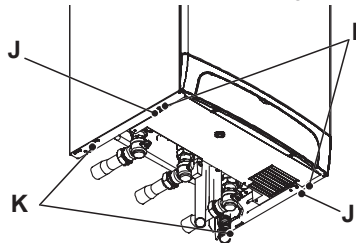


Fig. 6.14

- Loosen the screws K.

# INSTALLATION

- Remove the side panels or move the lower part of the side panels as indicated in Fig. 6.15 and pull the control panel. When completely pulled out, the panel can rotate 45° downwards to facilitate the operations on the internal parts.

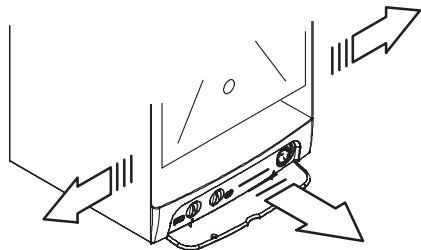


Fig. 6.15

- Loosen the screws L and remove the service panel (Fig. 6.16).

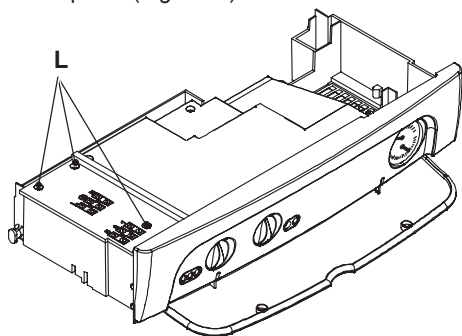


Fig. 6.16

For the electrical connection to the boiler use electric wires which conform to the current regulations, with flexible cord, each core having a cross section area **not less than 0,75 mm<sup>2</sup>**.

- Connect the electrical supply flexible cord coming from the fused spur isolation switch to the power supply terminal block of the boiler (Fig. 6.17) keeping the same connections for the live (brown wire) and the neutral (blue wire). External 3 A fuse or fused plug with same current rating is recommended.

**Do not connect live wires to terminals to**

**which the room thermostat must be connected.**

- Connect the earth wire (yellow/green).

## Connection of a room thermostat

The room thermostat must be connected to the terminal block situated next to the control panel.

**Any external controls and connection lines must be rated at 230 V but under no circumstances should external live voltage be connected to the room thermostat link on the boiler.**



**Do not connect live wires to terminals to which the room thermostat must be connected.**

**Do not connect live wires to terminals to which the room thermostat must be connected.**

**When connecting any type of external control, the link M in Fig. 6.17 must be removed.**

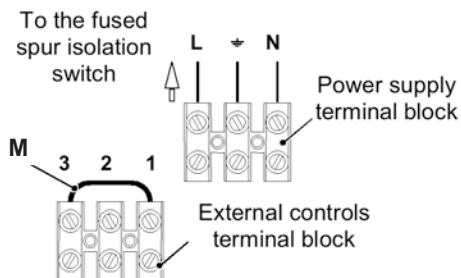


Fig. 6.17

- Connect the room thermostat between terminals 1 and 3 as shown in Fig. 6.18 or Fig. 6.19.

# INSTALLATION

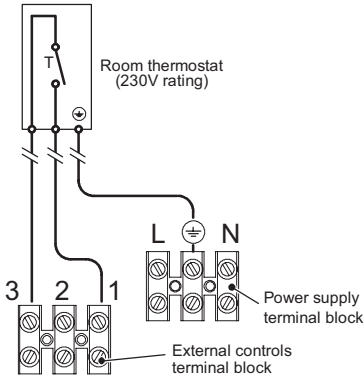


Fig. 6.18

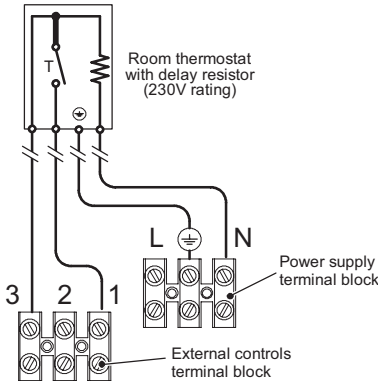


Fig. 6.19

- Route the electrical supply flexible cord and the external control flexible cord as illustrated in Fig. 6.20. Lock the flexible cords in place with the flexible cord clamps

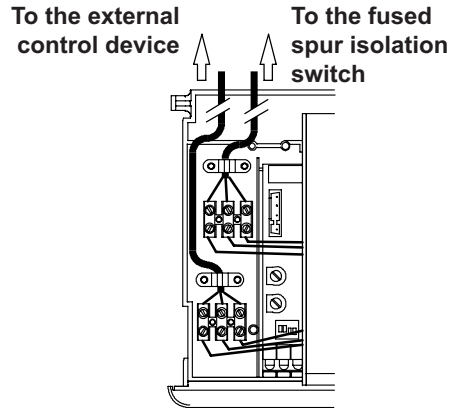


Fig. 6.20

## 6.10 External frost protection

- Connect the frost thermostat between terminals 1 and 2 as shown in Fig. 6.21 or Fig. 6.22. **Do not connect live wires to terminals to which the room thermostat must be connected.**

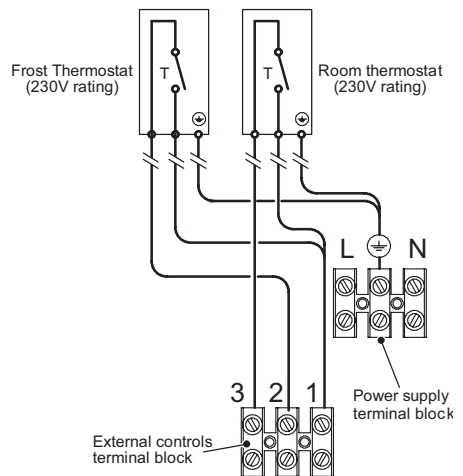


Fig. 6.21

# INSTALLATION

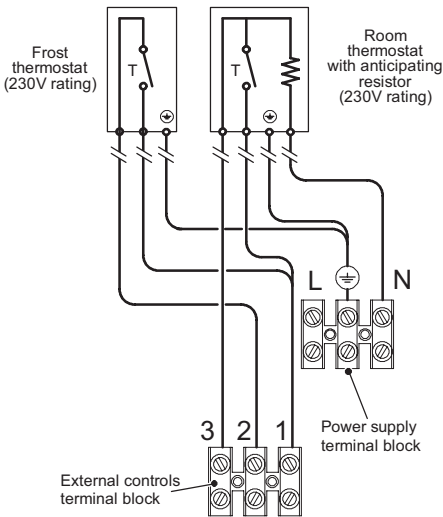


Fig. 6.22

## 6.11 Connecting a system boiler to a cylinder

Two schematic wiring diagrams are given in this section showing two possible ways to connect an external programmer to a mid-position diverter valve to provide independent timed and thermostatic control of heating and hot water.

Fig. 6.23 and Fig. 6.24 are divided in two parts. The upper shows the single components used on the diagrams with their connection to the 10 way junction box. The bold numbers represent the terminal of the junction box where the component must be connected to.

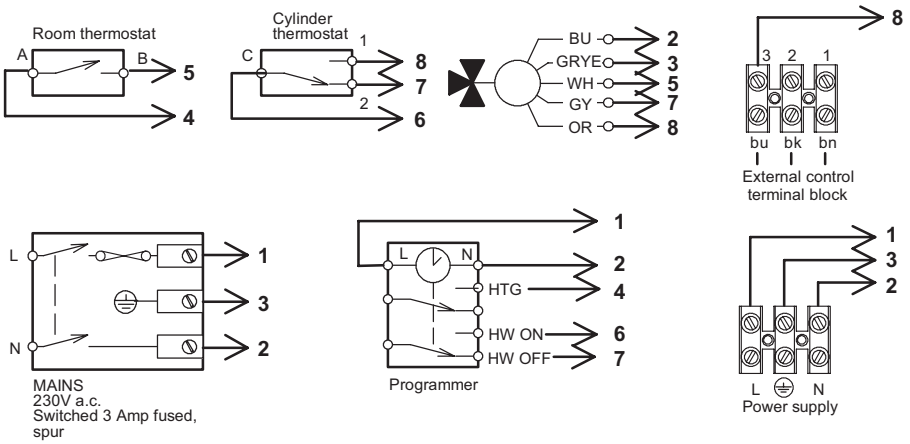
The lower part shows how to realize a system that provides independent timed and thermostatic control of heating and hot water.

In Fig. 6.23 the boiler is permanently connected to the main supply. The boiler operation is controlled by the external control terminal block.

In Fig. 6.24 the boiler is not permanently connected to the supply line. The boiler operation

is controlled by switching the mains supply. In this case, when the boiler is switched off some important features like the antifreeze system, the monitoring of the boiler by the operation lights, the post circulation of the pump, etc. are completely deactivated. For these reasons it is advisable to use the first diagram (Fig. 6.23).

# INSTALLATION



INSTALLATION

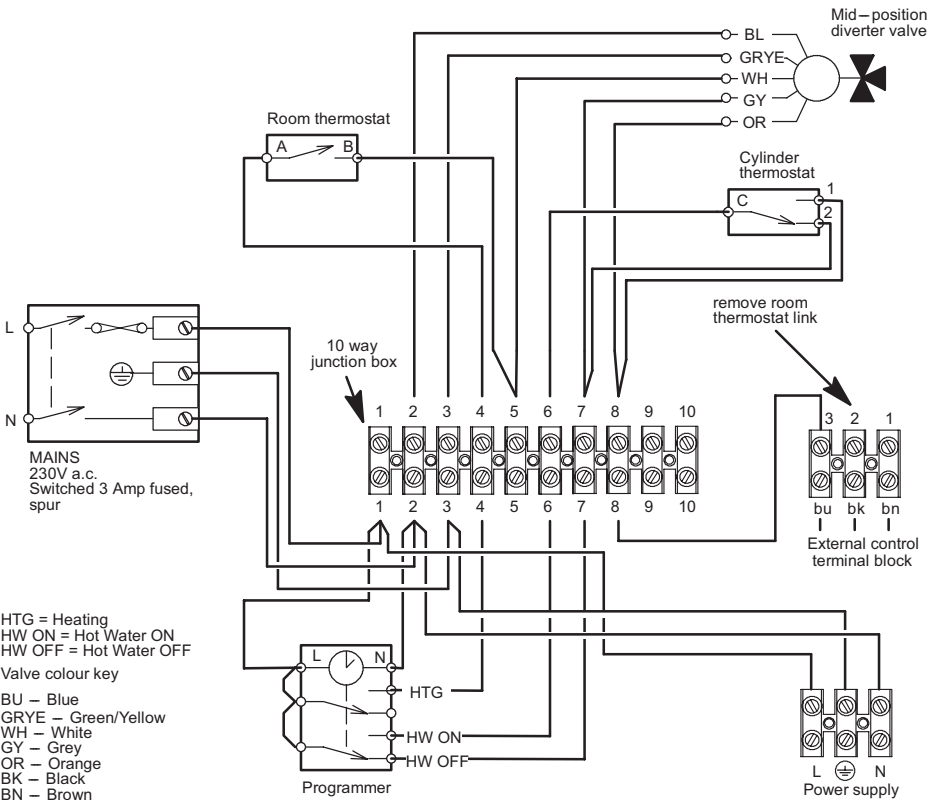
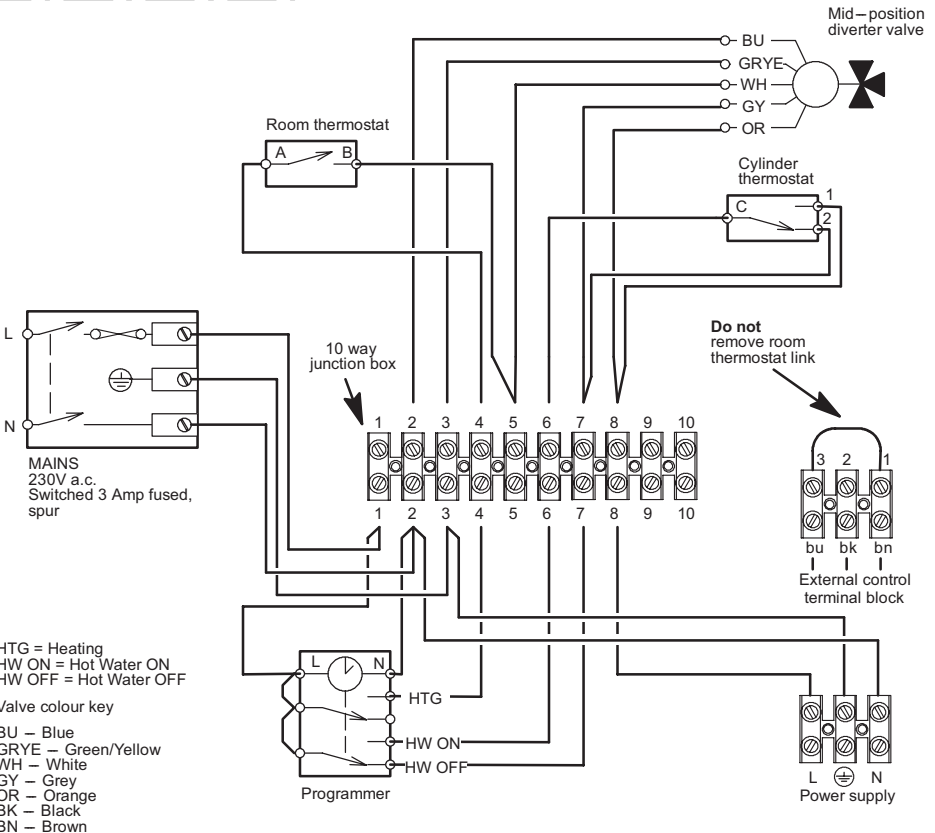
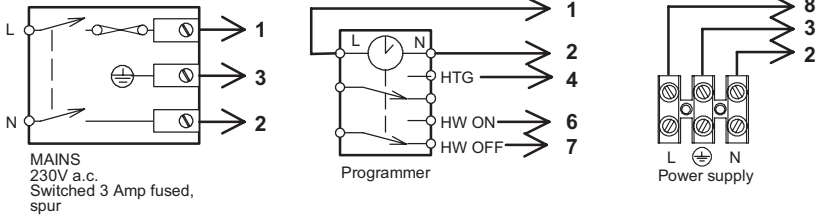
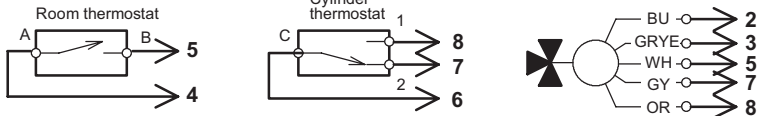


Fig. 6.23



# INSTALLATION



INSTALLATION

Fig. 6.24

# COMMISSIONING

## 7 COMMISSIONING

### 7.1 Warnings

The commissioning of this boiler and system must only be undertaken by a professionally qualified person in accordance with the requirements of the Gas Safe Installation and Use Regulations and be approved by Gas Safe.

Ensure that the Benchmark Checklist is satisfactorily completed during the commissioning process. The Checklist is located at the end of this manual. This manual should be handed to the user following completion of the installation and commissioning process. Failure to comply with these requirements may invalidate the manufacturers guarantee.

For Ireland (IE), it is necessary to complete a "Declaration of Conformity" to indicate compliance to I.S.813.2002.

### 7.2 Electrical installation

Preliminary electrical system checks to ensure electrical safety shall be carried out by a competent person. i.e. polarity, earth continuity, resistance to earth and short circuit. If a fault has occurred on the appliance the fault finding procedure should be followed as specified in the service manual.

### 7.3 Gas supply installation

- Inspect the entire installation including the gas meter, test for tightness and purge, all as described in BS 6891;  
For Ireland (IE), refer to I.S.813.2002.
- Open the gas cock 12 (Fig. 7.1) on the appliance and check the gas connector on the appliance for leaks.

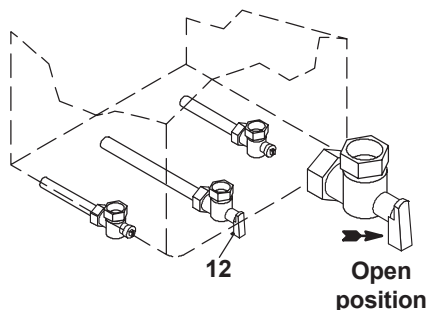


Fig. 7.1

### 7.4 Initial filling of the system

- Open the C.H. flow and return valves.
- Remove the front panel of the case (section "Dismantling the external panels" to page 50).
- Loosen the cap on the automatic air purger valve 23 in Fig. 7.2 one full turn and leave open permanently.

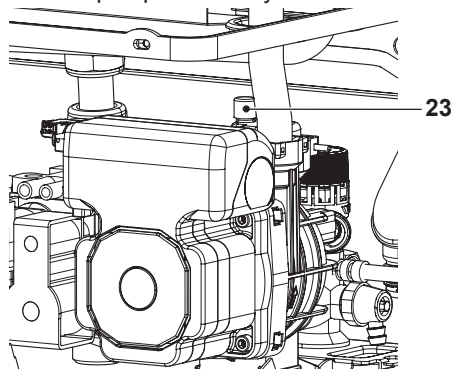


Fig. 7.2

- Gradually open stopcock at the filling point connection to the C.H. system until water is heard to flow; do not open fully.
- Open each radiator air vent starting at the lowest point of the system and close it only when clear water, free of bubbles, flows out.
- Continue filling the system. The actual reading should ideally be 1,3 bar and not less than 0,3 bar.

# COMMISSIONING

- Close all air release valves on the C.H. system.
- Inspect the boiler and the system for water soundness and remedy any leaks discovered.
- Cold flush the system to remove any loose particles and any system debris before starting the boiler for the first time

The flushing procedure must be in line with *BS7593 Treatment of Water in D.H.W. & C.H. Systems*.

When the installation and second filling are completed turn on the C.H. system and run it until the temperature has reached the boiler operating temperature. The system must then be immediately flushed through.

This procedure must be repeated twice more.

During this operation we highly recommend the use of a C.H. flushing detergent in the quantities as specified by the appropriate manufacturer, whose function it is to dissolve any foreign matter which may be in the system.

The above operation could save the invalidation of your boilers guarantee and will also prevent problems which you may experience in the future if an inhibitor is not used.

Only inhibitors that carry the Buildcert approved label should be used.

## Check pump operation/pump release

The pump electronic control circuit automatically releases the pump.

- Turn on the electricity supply to the boiler, switching on the fused spur isolation switch. The appliance operation light 9 will flash every 4 seconds.
- Turn the function selector 7 as in Fig. 7.3. The appliance operation light 9 will flash

every 2 seconds.

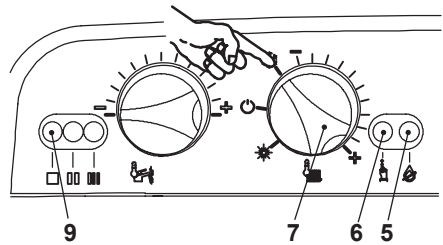


Fig. 7.3

The boiler will now go through an ignition sequence and the burner will light.

- Make sure that the ambient thermostat is in the "heat demand" position.
- Check that the boiler with the gas cock shut-off goes into ignition lockout (Er01) and, in the meantime, check the pump release.
- The pump release can be verified by checking that the pump motor vibrates.
- If the pump motor does not vibrate, release the boiler from its lockout due to gas failure by pressing the reset button on the control panel and repeat the sequence a maximum of 10 times.
- If the pump does not release, contact technical support.
- Once the pump has been released, open the gas cock and check that the boiler operates correctly both in domestic hot water and heating modes.
- Check the gas pressures and flow rates as shown in section "GAS CONVERSION" to page 48 of this booklet.
- Check that the condensate produced during functioning fills the syphon and is regularly drained in the draining pipe.
- To turn the boiler off set the function selector 7 to the position shown in Fig. 7.4. The appliance operation light 9 will flash every 4 seconds.

# COMMISSIONING

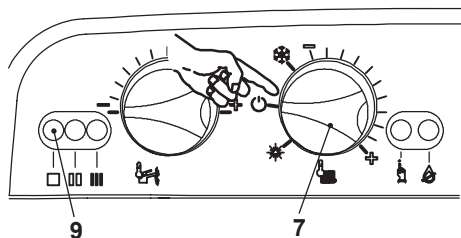


Fig. 7.4

If during the ignition attempt period the boiler fails to light, the full sequence control p.c.b. will go to lockout and the lock-out signal lamp 5 will appear.

To reset the boiler press and release the boiler reset button 6.

## 7.5 Condensate pipe and traps

The full length of the condensate pipe should be checked for leaks.

The boiler has a built-in condensate trap provided with a ball valve that prevents the escape of combustion products when the trap is empty.

It is however recommended that any other trap in the drain system is correctly filled with water before to run the boiler.



Fill the built in condensate trap by removing the flue elbow and pouring a cupful of water into the flue outlet (Fig. 7.5).

**Warning** do not allow water to enter the outer air intake

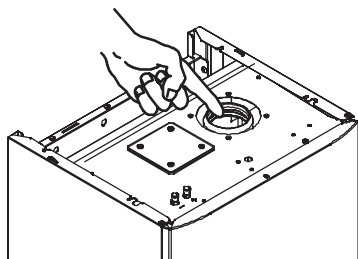


Fig. 7.5

An alternative, to avoid the removal of the flue elbow, pour the water through the flue sampling point (Fig. 7.6)

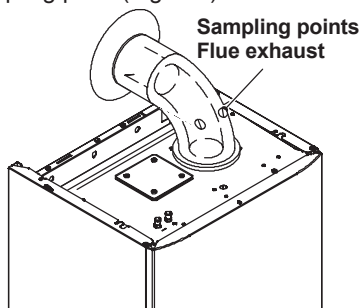


Fig. 7.6

## 7.6 Lighting the boiler

Some products incorporate an anti cycling time delay. It is normal when first switching the boiler on for the boiler to operate on heating for a few seconds then switch off. After 3-4 minutes has elapsed the boiler will then re ignite and operate perfectly normally. The ignition delay cycle does not prevent normal operation of the boiler to provide D.H.W.

If external controls are fitted (e.g. Timeclock, room thermostat) ensure they "call for heat".

- Turn on the electricity supply to the boiler, switching on the fused spur isolation switch. The appliance operation light 9 will flash every 4 seconds.
- Turn the function selector 7 as in Fig. 7.7. The appliance operation light 9 will flash every 2 seconds.

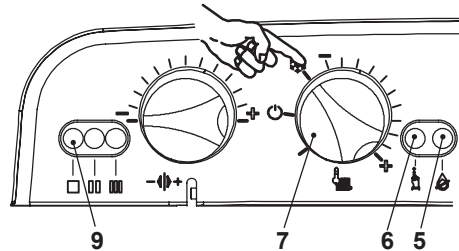


Fig. 7.7

# COMMISSIONING

The boiler will now go through an ignition sequence and the burner will light.

If during the ignition attempt period the boiler fails to light, the full sequence control p.c.b. will go to lockout and the lock-out signal lamp 5 will appear.

To reset the boiler press and release the boiler reset button 6.

## 7.7 Checking the gas pressure at the burner

**This boiler has been factory tested to the highest quality control standards.**

**The maximum and minimum gas pressures are already set during this quality control process however the checking procedure must be followed to ensure maximum operating efficiency from the boiler.**

- Remove the front panel of the case (see section "Dismantling the external panels" to page 50) and the sealed chamber lid.
- Loosen the internal screw 35 (Fig. 7.8) on the Outlet Pressure Test Point of the Gas Valve and connect a pressure gauge using a suitable hose.
- Set the C.H. temperature control knob to its maximum position. If external controls are fitted (e. g. Timeclock, room thermostat) ensure they "call for heat".
- Switch on the boiler.
- Check the maximum gas pressure and compare the value on the gauge with the value indicated in the sections "Technical Data" on pag. 18 or pag. 21 (gas pressures at the burner), accordingly with the model of boiler installed.
- Check the maximum gas flow at the gas meter and compare the value indicated in the sections "Technical Data" on pag. 18 or pag. 21 (gas rate), accordingly with the model of boiler installed.
- Switch off the boiler.

- Disconnect the gas modulator coil by removing the electrical connector A (Fig. 7.8).

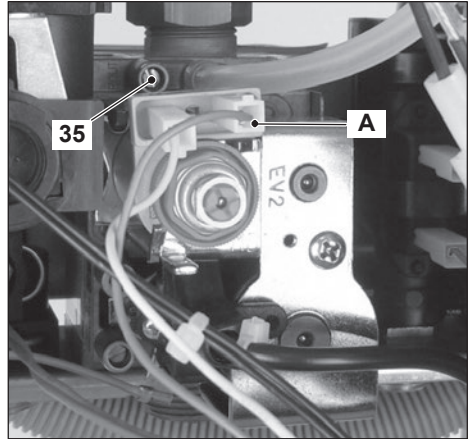


Fig. 7.8

- Switch on the boiler.
- Check that the boiler lights up uniformly. If not refer to section "*Ignition gas pressure adjustment*" of the Service Manual for the necessary adjustment procedures.
- Switch off the boiler and disconnect the pressure gauge.
- Reassemble the sealed chamber lid and the front panel of the case (see "Dismantling the external panels" to page 50).

**If the maximum and minimum gas pressures measured above are not in accordance with the technical data (sections "Technical Data" section pag. 18 or pag. 21) then adjustment will be necessary. A full explanation of the gas pressure adjustment procedure is given in the Gas Valve section of the service manual. If maximum and/or minimum gas pressures are adjusted then the ignition gas pressure must be checked and adjusted if necessary.**

**Important: after the gas pressure checks and any adjustment operations, all of the**

# COMMISSIONING

**test points and adjustment devices must be sealed and tested for tightness. Replace the adjustment protection cap.**

## 7.8 Checking the burner ignition

- Turn the boiler OFF.
- Open the gas valve outlet pressure test point 35 (Fig. 7.8) and connect the gauge.
- Turn the boiler ON positioning the control selectors 7 in the positions as shown in as in Fig. 7.9 and ensure that the timer selector switch and room thermostat, if fitted, are set to "heat demand".

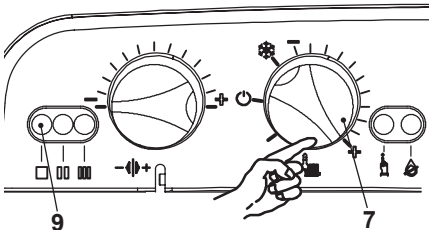


Fig. 7.9

- Watch the gauge and check to see if the ignition pressure registered corresponds to the values as given in the Technical Data. Turn off the boiler and reignite it by turning the function selector 7 to the OFF position and then back to that indicated in Fig. 7.9.
- Repeat this process two to three times leaving 30 second intervals between each ignition. Check the ignition pressures and visually check that the burner lights uniformly and in a controlled manner.
- If the burner ignition is not uniformly controlled then checks should be made to:
  - the flue installation and termination;
  - that the flue gasket as shown in Fig. 6.5 on page 33 is in place;
  - that the burner and injectors are clean;
  - that the boiler is set for the correct gas used (see "GAS CONVERSION" to page 48).

- If the ignition pressure recorded is not as indicated in the Technical Data then refer to section "Ignition gas pressure adjustment" of the Service Manual for the necessary adjustment procedures.

**Important: after the gas pressure checks and any adjustment operations, all of the test points must be sealed and replace the adjustment protection cap.**

## 7.9 Checking the ignition device

With the burner on high flame close the gas cock.

After three ignition attempts (within about three minutes), the lock-out signal lamp 5 on pag. 8 must appear.

To reset the boiler press and release the boiler reset button 6 on pag. 8.

## 7.10 Checking the flue system

The flue system should be visually checked for soundness. Check all clamps, gaskets and fixing are secure and tight.

Ensure that the flue terminal is sited correctly in accordance with the flue fitting instructions and Fig. 5.1 on page 26 of this manual.

To carry out a combustion check refer to the instructions given in the section "Combustion analysis check" to page 51.

Reference figures are given in the "Technical Data" section page. 18 of this manual (Flue gas figures).

## 7.11 Check pump operation/pump release

The pump electronic control circuit automatically releases the pump.

Connect the boiler to the mains .

Make sure that the ambient thermostat is in the "heat demand" position.

Check that the boiler with the gas cock shut-

---

# COMMISSIONING

---

off goes into ignition lockout (Er01) and, in the meantime, check the pump release.

The pump release can be verified by checking that the pump motor vibrates.

If the pump motor does not vibrate, release the boiler from its lockout due to gas failure by pressing the reset button on the control panel and repeat the sequence a maximum of 10 times.

If the pump does not release, contact technical support.

Once the pump has been released, open the gas cock and check that the boiler operates correctly both in domestic hot water and heating modes.

## 7.12 Checking the condensate drain pipe

Check the soundness and integrity of the condensate drain pipe.

Verify the cleanness and correct filling of the condensate traps.

## 7.13 Instructing the user

Hand over this combined User & Installation manual and the Service manual to the end user and explain how to use the unit.

Take the User step by step through the lighting instructions.

Show the User how to switch off the appliance quickly and indicate the position of the electric supply isolator.

Explain the proper use and adjustment of all system controls; this will ensure the greatest possible fuel economy.

Explain the function and use of the function selector.

Explain and demonstrate the function of time and temperature controls (if fitted).

Explain how to turn off the appliance for both short and long periods and advise on the precautions necessary to prevent damage should the appliance be inoperative

when freezing conditions may occur.

Fill in the details required on the Boiler Guarantee Certificate and hand to the User advising them to return the correct section for boiler Guarantee registration.

Finally, advise the User that, for continued safe and efficient operation, the appliance must be serviced by a competent person at least once a year.

# GAS CONVERSION

## 8 GAS CONVERSION

### 8.1 Warnings

The commissioning of this boiler and system must only be undertaken by a Gas Safe Registered Engineer, qualified to work on Liquefied Petroleum Gas (LPG) in accordance with the requirements of the Gas Safe Installation and Use Regulations.

Components used to adapt it to the type of gas available must be genuine parts only.

### 8.2 Procedures



Check that the gas cock fitted under the boiler is turned off and the appliance is switched off at the mains isolating spur.

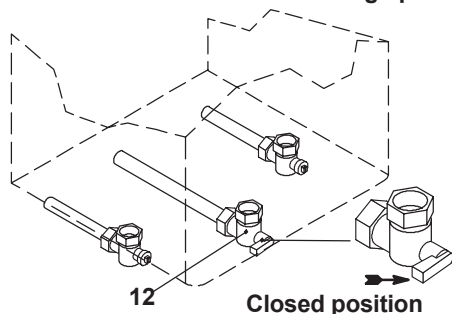


Fig. 8.1

- Remove the front panel of the case (see the section *General access and emptying hydraulic circuits* in the service manual).
- Take off the lid of the sealed chamber.
- Take the front panel of the combustion chamber off and remove the burner (30 on pag. 17). See section *Ignition and detection electrodes* in the service manual for detailed instructions.
- Carry out the conversion for the type of gas, replacing the burner injectors correctly.
- Re-assemble the burner, the front panel of the combustion chamber.

- Switch on the appliance at the mains isolating spur.
- Turn the boiler OFF positioning the function selector 7 as indicated in Fig. 8.2.

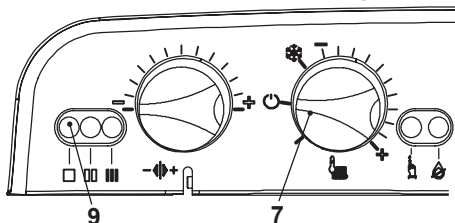


Fig. 8.2

- Disconnect the electrical connectors of the C.H. temperature probe NTC 20 in Fig. 8.3

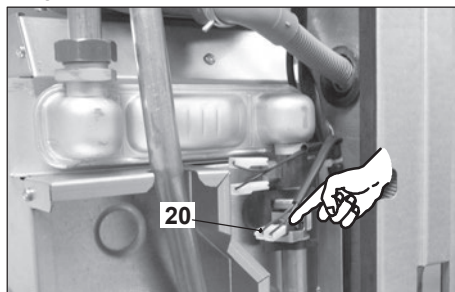


Fig. 8.3

- Keep pressed the reset button 6 for about 10 seconds until the lock-out signal lamp 5 blinks.
- Connect the electrical connectors of the C.H. temperature probe NTC 20 in Fig. 8.3.
- Press the reset button 6 repeatedly (4 times) until the lamps 9 give the indication as in Fig. 8.4 (gas type mode).



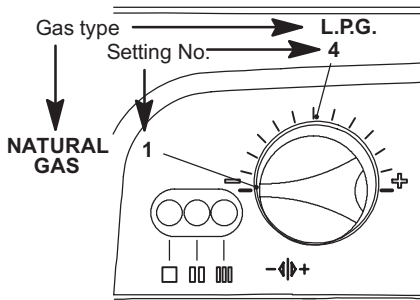
Fig. 8.4

At this step it is possible to visualize the current setting by keeping the reset button 6 pressed for more than 5 seconds. The lamps 9 will flash a number of times corre-



# GAS CONVERSION

sponding to the setting of the knob 8 in Fig. 8.5.



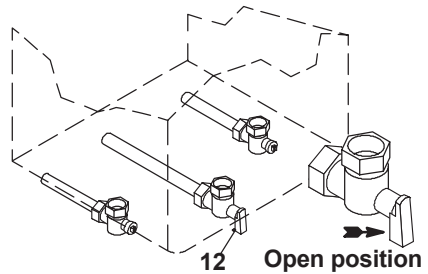
**Fig. 8.5**

Gas supply	Position of knob 8	Approx. Max current through the modulator device
Natural gas	1	125 mA
L.P.G.	4	165 mA

**Fig. 8.6**

- To change the setting turn the knob 8 on a position corresponding to the gas used as shown in Fig. 8.5. By turning the knob 8, the lock-out signal lamp 5 blinks quickly (2 per seconds) indicating that the setting has changed and must be memorised.
- To memorize the setting keep pressed the reset button 6 for about 5 seconds until the lamps 9 briefly blinks simultaneously.
- Open the gas cock (12 in Fig. 8.7)
- To reset the boiler to the normal operation turn it ON by the function selector 7 on the desired operation and checking the ignition pressure and that the burner lights up uniformly. In any case, the boiler automatically resets to its normal operation after 10 minutes.

*Factory setting = Natural gas (as illustrated)*



**Fig. 8.7**

- Calibrate the gas valve according to the instructions given in the service manual, section *Modulating gas valve-Adjustment*.
- Re-assemble the lid of the sealed chamber.
- Replace the self-adhesive label indicating the type of gas, and the gas pressures to which the appliance has been set with the label included with the conversion kit. The label is placed on the bottom of the appliance.
- Replace the adjustment protection cap.
- Replace the front panels of the case.

# MAINTENANCE

## 9 MAINTENANCE

### 9.1 Warnings

The procedures detailed in this chapter **must be carried out only by a Gas Safe Registered Engineer.**

Thus you are advised to contact an Authorised Service Agent.

**For Ireland (IE), the servicing work must be carried out by a competent RGII registered Person.**

For efficient and continuous operation of the boiler you are advised to have, at least once a year, maintenance and cleaning done by an Approved Service Engineer.

**Isolate the appliance from the electricity supply** by turning off the fused spur isolation switch adjacent to the appliance.

Turn off the gas cock, before carrying out any procedures, whatsoever, for cleaning, maintenance, opening or dismantling boiler panels.

**The Engineer should complete the Service Interval Record at the back of the manual.**

### 9.2 Dismantling the external panels

#### Front panel

- Loosen the three screws A (Fig. 9.1).
- Lift and remove the panel.

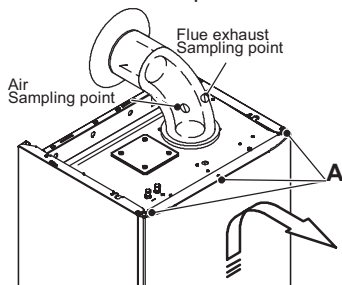


Fig. 9.1

#### Side panels

- Loosen the screws B. Bring the bottom of the panels away from the boiler and lift them, freeing them from the top hooks (Fig. 9.2).

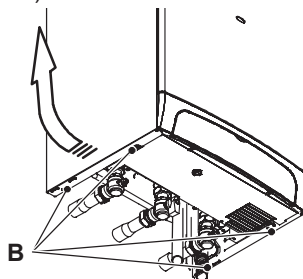


Fig. 9.2

### 9.3 Emptying the C.H. system

- Close the C.H. isolating valves (13 and 11 in Fig. 9.3).

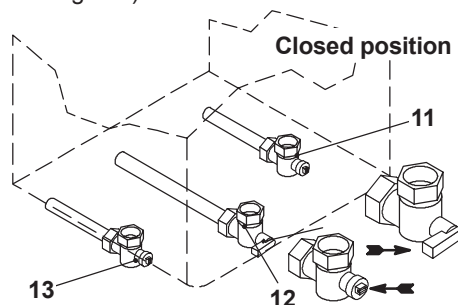


Fig. 9.3

- Open the central heating drain cock (22 in Fig. 9.4).

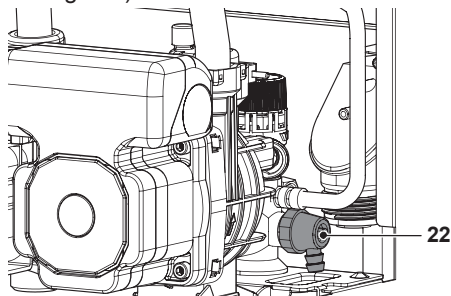


Fig. 9.4

---

# MAINTENANCE

---

## 9.4 Combustion analysis check

If it is necessary to carry out a combustion analysis remove the plugs indicated in Fig. 9.1.

Reference figures are given in the sections "Technical Data" on pag. 18 or pag. 21 (Flue gas figures).

## 9.5 Cleaning the primary heat exchanger

- Take off the front of the case.
- Take off the removable front of the sealed chamber and the front panel of the combustion chamber.

If you notice dirt on the fins of the primary heat exchanger (33 on pag. 17):

- Cover the sloping surfaces of the burner (30 on pag. 17) entirely in a protective layer (sheets of newspaper or similar).
- Brush out the primary heat exchanger (33 on pag. 17) with a bristle paintbrush.

## 9.6 Checking the pressurisation in the expansion vessel

Empty the central heating systems described in section "Emptying the C.H. system" to page 50 and check that the expansion vessel pressure is not less than 1 bar. See also section "Expansion vessel" to page 24.

If the pressure is lower, take steps to correct the pressure level

## 9.7 Cleaning the burner

The sloping and multi-gas type burner (30 on pag. 17) does not need special maintenance, but it is sufficient to dust it with a bristle paintbrush.

To reach the burner:

- Take off the front of the case.
- Take off the removable front of the sealed chamber and the front panel of the combustion chamber.

- Brush out the burner with a bristle paintbrush.

## 9.8 Checking the flue system

Have the integrity of the flue outlet pipe (40 on pag. 17) air intake pipe (41 on pag. 17), checked periodically, the air pressure sensor\* (16 on pag. 16) and the efficiency of the flue safety circuit checked at least once a year.

\* For details see the section *Fan and air pressure sensor* in the service manual.

For all the above maintenance operations it is advisable to call an approved Service Engineer.

## 9.9 Drain pipe inspection

Check the soundness and integrity of the condensate drain pipe.

Verify the cleanliness and correct filling of the condensate traps.

## 9.10 Visual inspection of appliance

Visually inspect all water joints, seals and connections for any evidence of leakage and retighten, grease or replace them as necessary.

## 9.11 Gas pressures and tightness

Check appliance for gas tightness. Recheck operational pressures and adjust as necessary as described in section "Checking the gas pressure at the burner" to page 45.

**Note to service engineers, it is required that every two years the following components are replaced to ensure sustained and correct operation of the boiler.**

**Failure to comply with this requirement**

---

## MAINTENANCE

---

may affect the product warranty.

Combustion chamber lip seal \*

Burner seal \*

Mixing chamber seal \*

Flame detection probe \*

\* See spare parts catalog.

## 10 BENCHMARK COMMISSIONING AND SERVICING SECTION

It is a requirement that the boiler is installed and commissioned to the manufacturers instructions and the data fields on the commissioning checklist completed in full.

To instigate the boiler guarantee the boiler needs to be registered with the manufacturer within one month of the installation.

To maintain the boiler guarantee it is essential that the boiler is serviced annually by a Gas Safe Registered Engineer who has been trained on the boiler installed.  
The service details should be recorded on the Benchmark Service Interval Record and left with the householder.



[www.centralheating.co.uk](http://www.centralheating.co.uk)

# GAS BOILER SYSTEM COMMISSIONING CHECKLIST

This Commissioning Checklist is to be completed in full by the competent person who commissioned the boiler as a means of demonstrating compliance with the appropriate Building Regulations and then handed to the customer to keep for future reference.

Failure to install and commission according to the manufacturer's instructions and complete this Benchmark Commissioning Checklist will invalidate the warranty. This does not affect the customer's statutory rights.

Customer name:		Telephone number:	
Address:			
Boiler make and model:			
Boiler serial number:			
Commissioned by (PRINT NAME):		Gas Safe register number:	
Company name:		Telephone number:	
Company address:			
		Commissioning date:	
<b>To be completed by the customer on receipt of a Building Regulations Compliance Certificate*</b>			
Building Regulations Notification Number (if applicable):			
<b>CONTROLS</b> (tick the appropriate boxes)			
Time and temperature control to heating	Room thermostat and programmer/timer Load/weather compensation		Programmable room thermostat Optimum start control
Time and temperature control to hot water	Cylinder thermostat and programmer/timer		Combination Boiler
Heating zone valves	Fitted		Not required
Hot water zone valves	Fitted		Not required
Thermostatic radiator valves	Fitted		Not required
Automatic bypass to system	Fitted		Not required
Boiler interlock			Provided
<b>ALL SYSTEMS</b>			
The system has been flushed and cleaned in accordance with BS7593 and boiler manufacturer's instructions			Yes
What system cleaner was used?			
What inhibitor was used?			Quantity litres
Has a primary water system filter been installed?			Yes No
<b>CENTRAL HEATING MODE</b> measure and record:			
Gas rate	m <sup>3</sup> /hr	OR	ft <sup>3</sup> /hr
Burner operating pressure (if applicable)	mbar	OR Gas inlet pressure	mbar
Central heating flow temperature			°C
Central heating return temperature			°C
<b>COMBINATION BOILERS ONLY</b>			
Is the installation in a hard water area (above 200ppm)?			Yes No
If yes, and if required by the manufacturer, has a water scale reducer been fitted?			Yes No
What type of scale reducer has been fitted?			
<b>DOMESTIC HOT WATER MODE</b> Measure and Record:			
Gas rate	m <sup>3</sup> /hr	OR	ft <sup>3</sup> /hr
Burner operating pressure (at maximum rate)	mbar	OR Gas inlet pressure at maximum rate	mbar
Cold water inlet temperature			°C
Hot water has been checked at all outlets			Yes Temperature °C
Water flow rate			l/min
<b>CONDENSING BOILERS ONLY</b>			
The condensate drain has been installed in accordance with the manufacturer's instructions and/or BS5546/BS6798			Yes
<b>ALL INSTALLATIONS</b>			
Record the following:	At max. rate:	CO ppm	AND CO/CO <sub>2</sub> Ratio
	At min. rate: (where possible)	CO ppm	AND CO/CO <sub>2</sub> Ratio
The heating and hot water system complies with the appropriate Building Regulations			Yes
The boiler and associated products have been installed and commissioned in accordance with the manufacturer's instructions			Yes
The operation of the boiler and system controls have been demonstrated to and understood by the customer			Yes
The manufacturer's literature, including Benchmark Checklist and Service Record, has been explained and left with the customer			Yes
Commissioning Engineer's Signature			
Customer's Signature			
(To confirm satisfactory demonstration and receipt of manufacturer's literature)			

\*All installations in England and Wales must be notified to Local Authority Building Control (LABC) either directly or through a Competent Persons Scheme. A Building Regulations Compliance Certificate will then be issued to the customer.



# SERVICE RECORD

It is recommended that your heating system is serviced regularly and that the appropriate Service Interval Record is completed.

## Service Provider

Before completing the appropriate Service Record below, please ensure you have carried out the service as described in the manufacturer's instructions. Always use the manufacturer's specified spare part when replacing controls.

<b>SERVICE 01</b>				Date:
Engineer name:				
Company name:				
Telephone No:				
Gas safe register No:				
Record:	At max. rate:	CO ppm	AND	CO <sub>2</sub> %
	At min. rate: (Where Possible)	CO ppm	AND	CO <sub>2</sub> %
Comments:				
Signature				

<b>SERVICE 02</b>				Date:
Engineer name:				
Company name:				
Telephone No:				
Gas safe register No:				
Record:	At max. rate:	CO ppm	AND	CO <sub>2</sub> %
	At min. rate: (Where Possible)	CO ppm	AND	CO <sub>2</sub> %
Comments:				
Signature				

<b>SERVICE 03</b>				Date:
Engineer name:				
Company name:				
Telephone No:				
Gas safe register No:				
Record:	At max. rate:	CO ppm	AND	CO <sub>2</sub> %
	At min. rate: (Where Possible)	CO ppm	AND	CO <sub>2</sub> %
Comments:				
Signature				

<b>SERVICE 04</b>				Date:
Engineer name:				
Company name:				
Telephone No:				
Gas safe register No:				
Record:	At max. rate:	CO ppm	AND	CO <sub>2</sub> %
	At min. rate: (Where Possible)	CO ppm	AND	CO <sub>2</sub> %
Comments:				
Signature				

<b>SERVICE 05</b>				Date:
Engineer name:				
Company name:				
Telephone No:				
Gas safe register No:				
Record:	At max. rate:	CO ppm	AND	CO <sub>2</sub> %
	At min. rate: (Where Possible)	CO ppm	AND	CO <sub>2</sub> %
Comments:				
Signature				

<b>SERVICE 06</b>				Date:
Engineer name:				
Company name:				
Telephone No:				
Gas safe register No:				
Record:	At max. rate:	CO ppm	AND	CO <sub>2</sub> %
	At min. rate: (Where Possible)	CO ppm	AND	CO <sub>2</sub> %
Comments:				
Signature				

<b>SERVICE 07</b>				Date:
Engineer name:				
Company name:				
Telephone No:				
Gas safe register No:				
Record:	At max. rate:	CO ppm	AND	CO <sub>2</sub> %
	At min. rate: (Where Possible)	CO ppm	AND	CO <sub>2</sub> %
Comments:				
Signature				

<b>SERVICE 08</b>				Date:
Engineer name:				
Company name:				
Telephone No:				
Gas safe register No:				
Record:	At max. rate:	CO ppm	AND	CO <sub>2</sub> %
	At min. rate: (Where Possible)	CO ppm	AND	CO <sub>2</sub> %
Comments:				
Signature				

<b>SERVICE 09</b>				Date:
Engineer name:				
Company name:				
Telephone No:				
Gas safe register No:				
Record:	At max. rate:	CO ppm	AND	CO <sub>2</sub> %
	At min. rate: (Where Possible)	CO ppm	AND	CO <sub>2</sub> %
Comments:				
Signature				

<b>SERVICE 10</b>				Date:
Engineer name:				
Company name:				
Telephone No:				
Gas safe register No:				
Record:	At max. rate:	CO ppm	AND	CO <sub>2</sub> %
	At min. rate: (Where Possible)	CO ppm	AND	CO <sub>2</sub> %
Comments:				
Signature				

\*All installations in England and Wales must be notified to Local Authority Building Control (LABC) either directly or through a Competent Persons Scheme. A Building Regulations Compliance Certificate will then be issued to the customer.





17962.1552.4 4817 56A5 UK

**Biasi UK Ltd**  
Commercial Road  
Leamore Enterprise Park  
WALSALL

WS2 7NQ

Sales Tel. 01922 714600  
Tech. Service Tel. 01922 714636  
[www.biasi.co.uk](http://www.biasi.co.uk)

